

# RANGEHOOD

600mm

## RS6S (stainless steel fascia panel)



- Stainless Steel front fascia panel with grey end caps
- 440m<sup>3</sup>/hr
- Twin motor
- Ducted operation
- Re-circulating operation (through cupboard only)\*
- 3 speed fan, controlled by slide switches
- Aluminium grease filters washable
- 2 x 40 watt halogen lamps

features

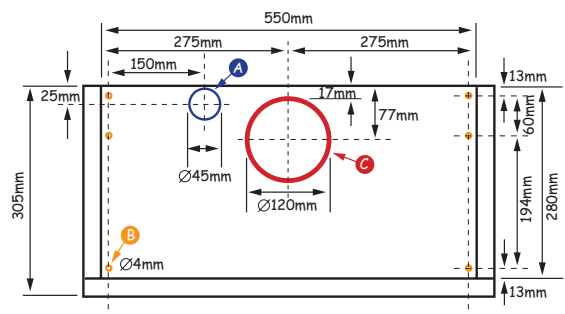
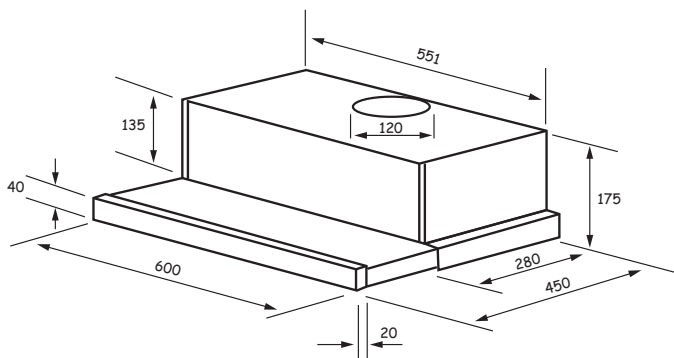
## specifications

<b>Airflow:</b>	440m <sup>3</sup> /hr	<b>Carbon Filter:</b>	CF110
<b>Noise level:</b>	56 dBA on maximum setting		
<b>Lighting:</b>	2 x 40 watt halogen		
<b>Motor wattage</b>	120 watt		
<b>Power:</b>	240 volt / 50Hz (fitted with 10amp, 3 pin plug)		
<b>Power Cord:</b>	1.5 metre cable		
<b>Ducting Spigot size:</b>	120mm		

## dimensions

**Product Dimensions** 600mm (W) x 175mm (H) x 280mm\* (D) (\*not including 20mm front fascia panel)

**Cut Out Dimensions** 551mm (W) x 135mm (H) x 280mm<sup>#</sup> (D) (<sup>#</sup>cabinet only)



- A** Hole x 1 = position and size (45mm dia.) in shelf above rangehood for power cord
- B** Holes x 6 = position and size (4mm dia.) in shelf above for fixing of hood with washers and screws supplied
- C** Hole x 1 = position and size (120mm dia.) in shelf above for ducting pipe

### Warranty

2 years Parts and Labour

Customer Service

Our Nationwide Service Team can be contacted on our Toll Free Customer Service Number 1800 805 300 or by logging on to <http://customersupport.hapl.com.au/>