

INTEGRATED RANGEHOOD

900mm

IRI9SE1



- Stainless Steel - integrated into cupboard
- 1000m³/hr
- Ducted operation
- Re-circulating operation optional*
- Back lit electronic push button
- 3 speed fan

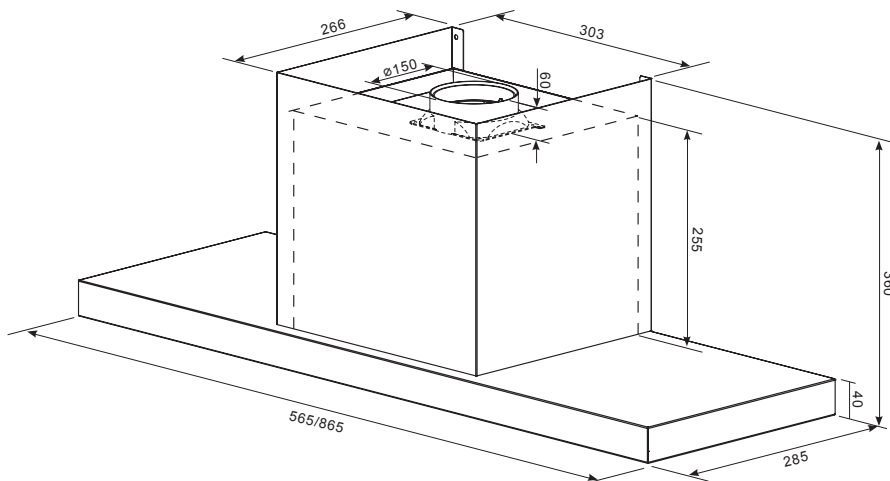
features

specifications

Airflow:	1000m ³ /hr
Noise level:	65 dBA on maximum setting
Lighting:	2 x 20 watt halogen lights
Total wattage	305 watts
Power:	220 -240 volt / 50Hz (fitted with 10amp, 3 pin plug)
Power Cord:	1.5 metre cable
Ducting Spigot size:	150mm, 1.5m flexible duct piece supplied
Carbon Filters:	Optional CF260*, one required. Re-circulating through cupboard only
Power:	220-240V/50Hz

dimensions

Product Dimensions: 865mm (W) x 360 mm (H) x 285mm (D)



warranty - customer service

Warranty

2 years Parts and Labour

Customer Service

Our Nationwide Service Team can be contacted on our Toll Free Customer Service Number 1800 805 300 or by logging on to <http://customersupport.hapl.com.au/>

 **HOME APPLIANCES**

20 Carlotta Street
Artarmon NSW 2064

T: 02 9958 3111

F: 02 9958 3555

E: info@hapl.com.au