

OVENS

600mm

IOE6SE1



- Stainless steel and black glass control panel - modern design
- 56 nett capacity - large internal use
- 7 function - including fan forced cooking and fan grilling
- Triple glazed door - cooler door temperatures
- Push push knobs - maintains flat profile when not in use
- Single type hinges - adds strength and easy to remove
- Tangential cooling fan - protects cabinet and components
- Fully programmable timer - fully programmable for start/finish times and auto stop - touch control operation
- Closed door grilling - reducing heat into kitchen & food maintains moisture

features

specifications

Functions:



Fan forced cooking



Fan forced cooking and grill



Conventional cooking



Grill function



Half grill function



Pizza and fan



Defrost



Oven light

Total Load: 3.22kW (15amp connection)

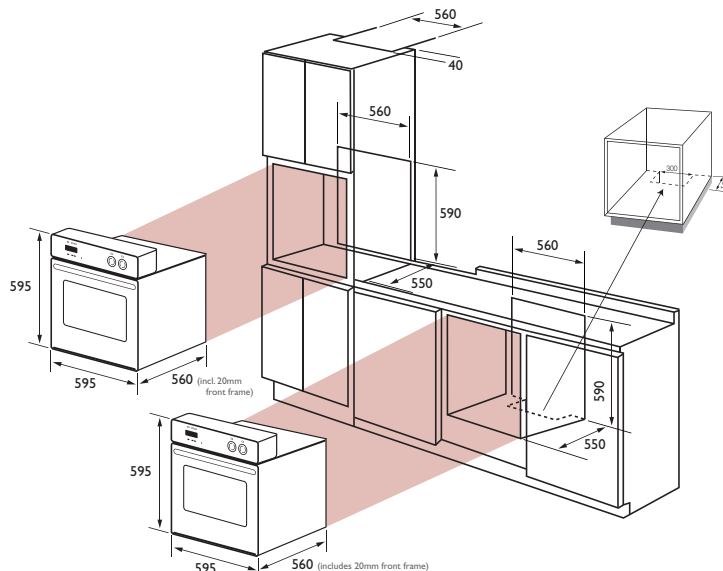
Power: 220-240 volt/50Hz

dimensions

Product Dimensions: 595mm (W) x 595mm (H) x 560 mm* (D)

(*includes 20mm control panel)

Cut Out Dimensions: 560mm (W) x 590mm (H) x 550mm (D)



warranty - customer service

Warranty

2 years Parts and Labour

Customer Service

Our Nationwide Service Team can be contacted on our Toll Free Customer Service Number 1800 805 300 or by logging on to <http://customersupport.hapl.com.au/>

HOME APPLIANCES

20 Carlotta Street
 Artarmon NSW 2064
 T: 02 9958 3111
 F: 02 9958 3555
 E: info@hapl.com.au

www.hapl.com.au