

Ceramic Cooktops

ICC6GE3 60cm Ceramic cooktop

Features

- 9 stage power setting for each zone
- Easy to clean ceramic surface
- Easy access front position touch controls
- Digital display for settings and timer
- Timer with minute minder - up to 99min each zone
- Fast heat up highlight elements
- Acoustic off signal (when used with timer)
- Child Lock
- Residual heat indicators
- Safety Auto Shut Off

Product dimension

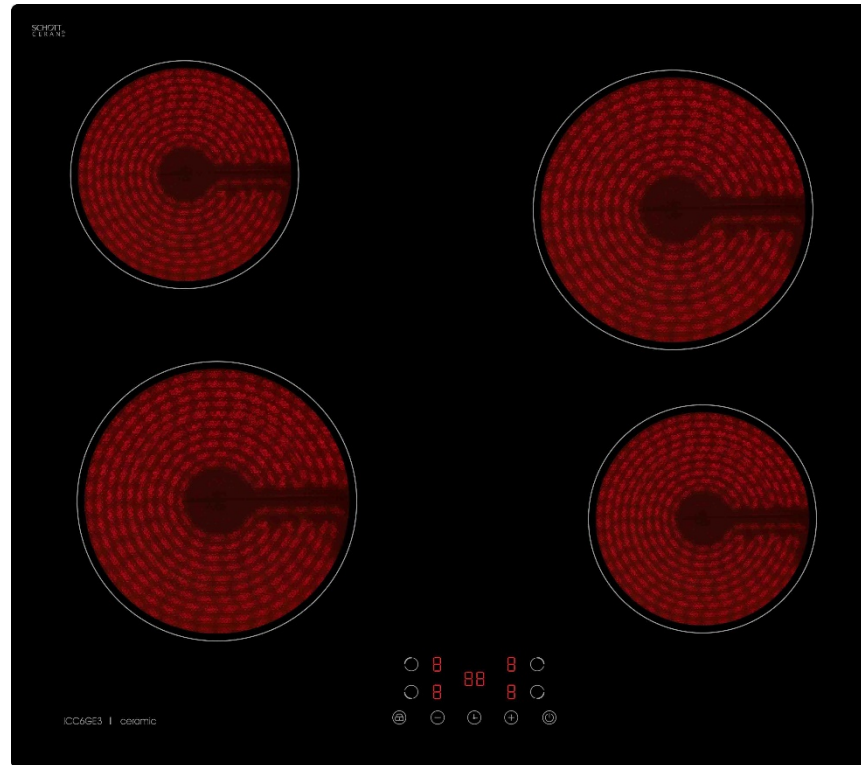
590mm (w) x 520mm (d)

Cut out dimension

560mm (w) x 490mm (d)

Connected load

6000 watts



Ceramic Cooktops

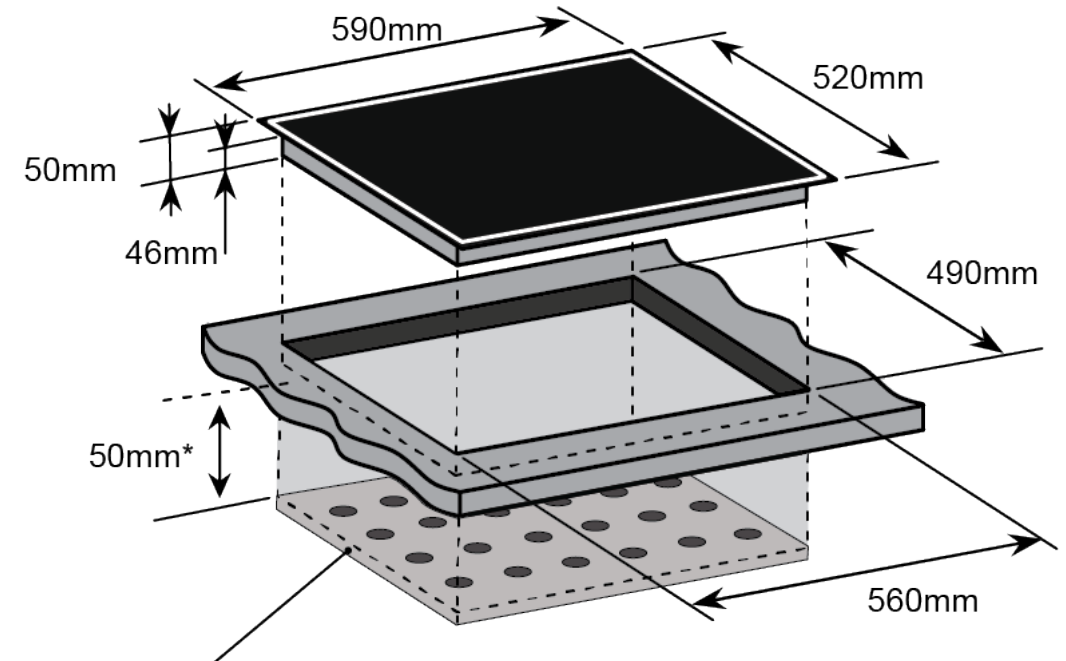
ICC6GE3 60cm Ceramic cooktop

Installation - ventilation and clearances



In all circumstances, make sure the cooktop is well ventilated as they do generate a fair amount of heat during use. DO NOT install the cooktop if glass is cracked or any other damaged realised.

The safety distance between the cooktop and the cupboard above the cooktop should be at least 760mm. Any rangehood installed above the cooktop should be no less than 650mm above the surface of the cooktop.



* A thermal protection heat barrier **MUST BE** fitted 50mm from the base of the cooktop when access is possible via a cupboard or drawer. This thermal protection heat barrier should contain holes to improve ventilation as shown.