

GAS COOKTOP

600mm

ACD6SG1



- Stainless Steel
- Cast Iron Trivets
- One Piece Stainless Steel Hob
- Electric Ignition
- Front Position Control Knobs

features

specifications

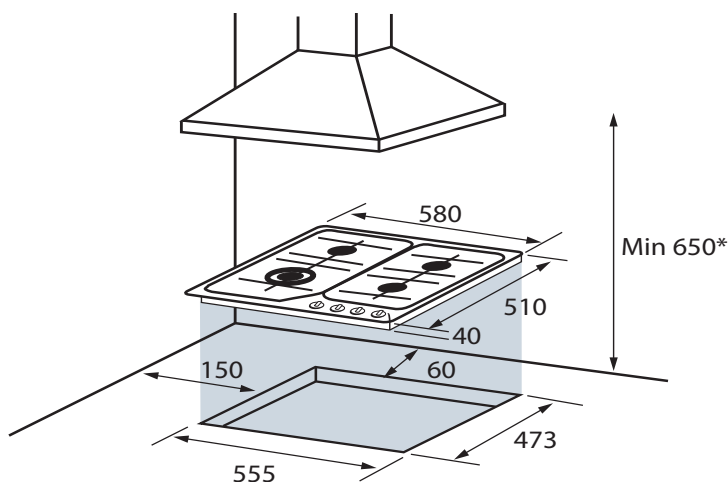
Natural Gas: 30.5 Mj/h
Propane: 29.5 Mj/h
Power: 220 – 240 volt/50Hz
 10amp 3 pin plug

Front Left Burner - Triple/Wok Burner	14 Mj/h
Front Right - Auxiliary Burner	4.5 Mj/h
Rear Left - Semi Rapid Burner	6 Mj/h
Rear Right - Semi Rapid Burner	6 Mj/h

dimensions

Product Dimensions: 580mm (L) x 510mm (B) x 90mm* (D) *(incl. 28.5mm front frame)

Cutout Dimensions: 555mm (L) X 473mm (B)



* Above cooktop highest point

warranty - customer service

Warranty

2 years Parts and Labour

Customer Service

Our Nationwide Service Team can be contacted on our Toll Free Customer Service Number 1800 805 300 or by logging on to <http://customersupport.hapl.com.au/>

HOME APPLIANCES

20 Carlotta Street
 Artarmon NSW 2064
 T: 02 9958 3111
 F: 02 9958 3555
 E: info@hapl.com.au

www.arcappliances.com.au