

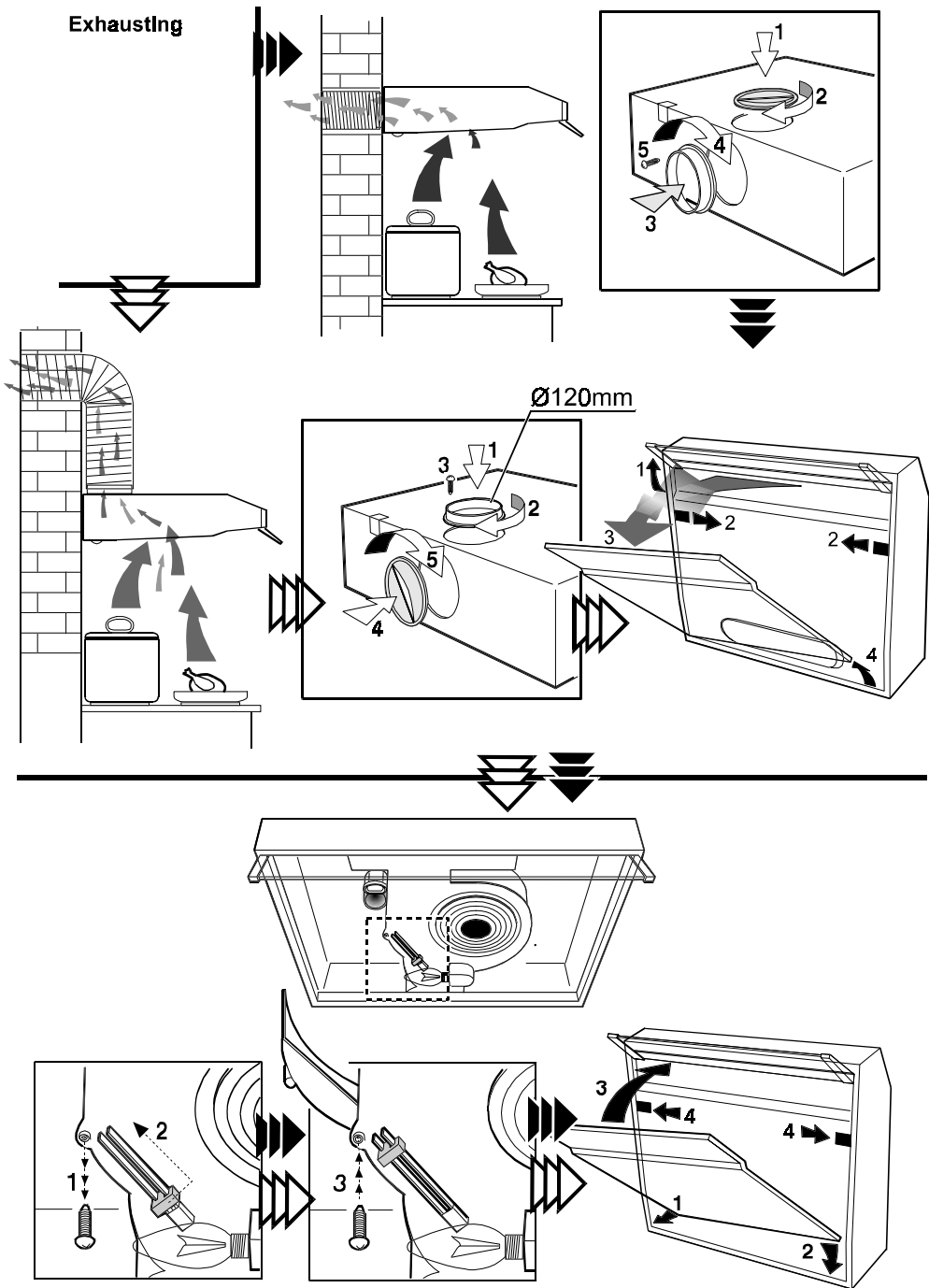
CLASSIC RANGEHOODS

MODELS: IRS6WE1
 IRS6SE1




INSTALLATION AND OPERATION MANUAL

Exhausting

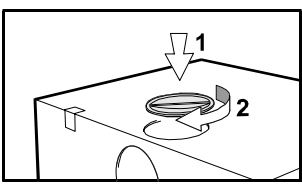
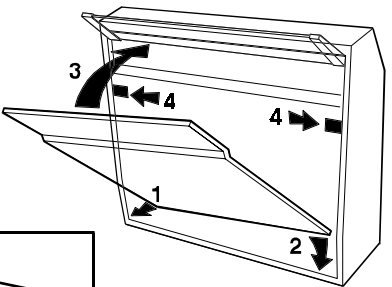
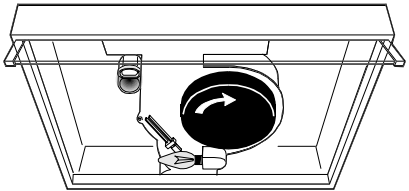
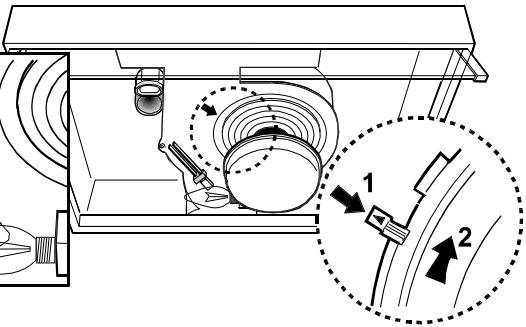
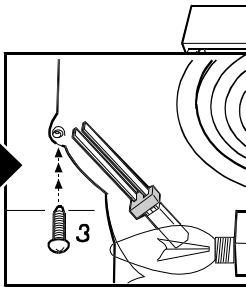
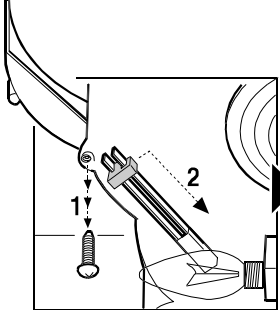
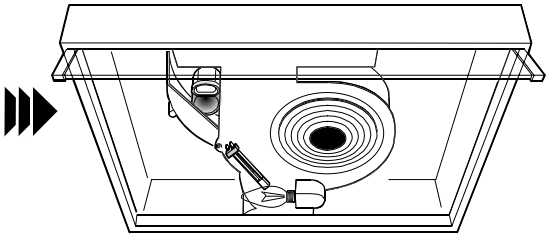
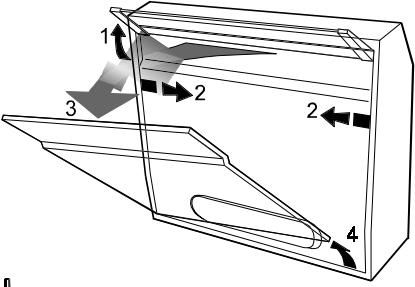
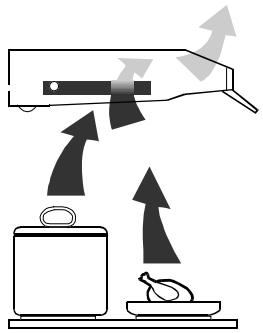



Recycling

Carbon filter

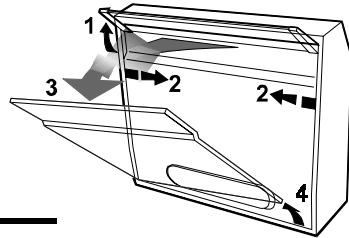


SERVICE

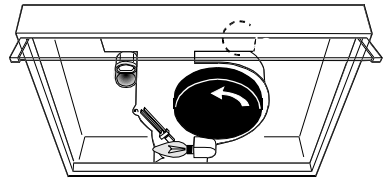
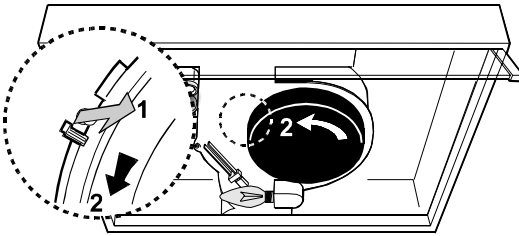


MAINTENANCE

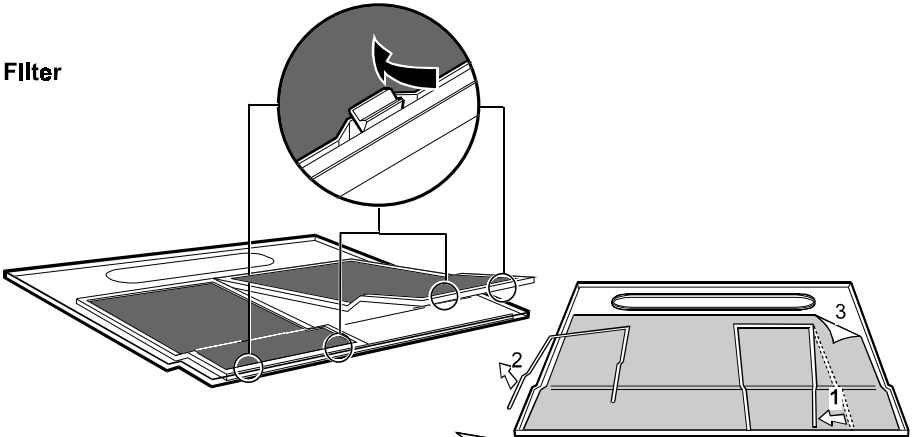
Before performing any maintenance operation disconnect the hood from the electrical supply.



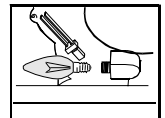
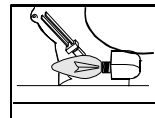
Carbon filter



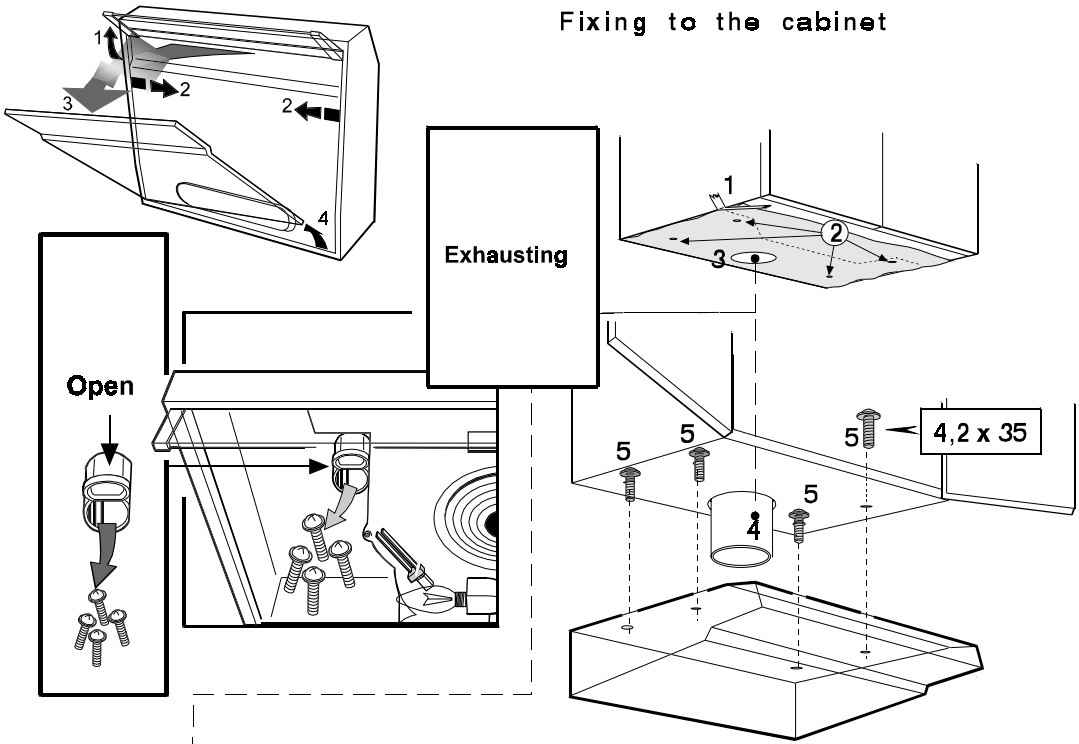
Grease Filter



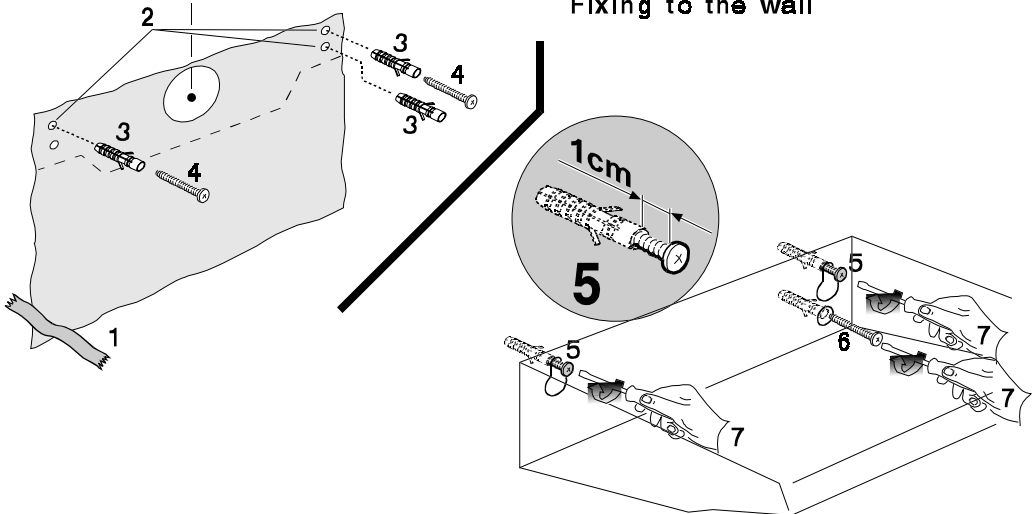
Lamp replacement



Fixing to the cabinet



Fixing to the wall



Electric connection

Before completing any connection, make sure the house voltage corresponds with the voltage indicated on the label affixed inside the cooker hood

It is advisable to call a qualified technician to make the electrical connection.

Appliance fitted with plug.

Connect it to a socket which conforms with current regulations.

If you intend to connect it directly to the electric mains, remove the plug and fit an approved bipolar switch with a minimum contact opening of no less than 3mm.

If the plug is not accessible once it has been inserted in the socket, it will however be necessary to fit an approved bipolar switch with a minimum contact opening of no less than 3mm.

Appliance without plug

Fit an approved plug or an approved bipolar switch with a minimum contact opening of not less than 3mm.

The manufacturers are not liable for any problems caused by the user's failure to observe the above instructions.

Warning!

When installed, the distance between hood and burners must be not less than 60 cm. above electric burners or 75 cm. above gas or mixed-fuel burners.

— The hood cannot be connected to flues of other appliances that run on energy sources other than electricity.

— When the hood is used at the same time of other appliances that run on energy sources other than electricity, provision must be made for an adequate supply of air.

— No food must be cooked flambé underneath the hood.

The use of an unprotected flame is dangerous for the filters and could cause fires.

Therefore, never use an open flame under the hood. When frying foods, never leave the pan alone because the cooking oil could flare up.

— Please, keep to the provisions of official directives regarding the question of fume discharge.

— The manufacturers refuse to accept any responsibility for damage to the hood or its catching on fire because of failure to observe the above instructions.

Using the hood

— The hood is provided with several speeds.

For the best performance, we recommend using the low speeds in normal conditions and the high speeds in particular cases of strong odour and vapour concentration.

— We recommend starting up the hood a few minutes before cooking and keeping it running until all the odours have been eliminated.

Maintenance

Before performing any maintenance operation, isolate the hood from the electrical supply by switching off at the connector and removing the connector fuse.

1) The synthetic filter (thickness about 10-15 mm) in normal use is washed once a month and replaced after 5 or 6 washings.

Wash it in warm water a biodegradable detergent. Let it dry without wringing .

2) The thin synthetic filter (thickness about 1 mm.), is changed when the top coloring appears on the bottom.

3) The tin synthetic filter (thickness about 1 mm.) without saturation indicator is replaced every two months with normal use.

4) The metal filter: unlimited duration, should be washed every month with warm soapy water or, if possible, in the dishwasher (60°C).

Leave to dry before refitting it.

Carbon filter

This filter dissolves cooking odours.

The carbon filter must never be washed.

It should be changed every 4 months in normal use.

Cleaning: To clean the outside of the hood use a cloth moistened with denatured alcohol or neutral liquid detergents. Never use products containing abrasive.

Wipe brushed stainless steel in the same direction as the brushing to avoid scratching.

Attention: Failure to observe the rules for cleaning the appliance and changing and cleaning the filters may cause fires.

Therefore, we recommend observing these instructions.



PRODUCT SERVICE PHONE NUMBER

1 8 0 0 8 0 5 3 0 0