

RANGEHOODS

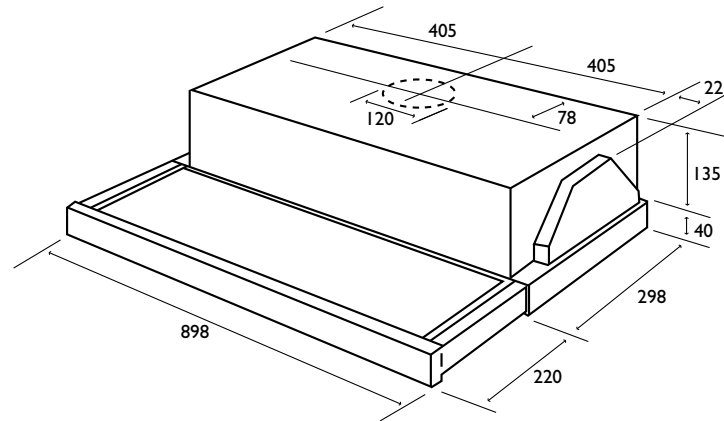
SLIDE OUT RANGEHOOD 900



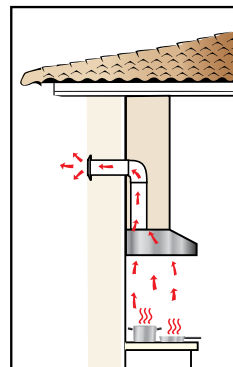
Colour:	White	Stainless Steel
Model:	IR09WE2	IR09SE2
Dimensions:	175mm (H) x 898mm (W) x 298mm (D) Note the height of 175mm includes the handle height of 40mm giving an internal height of 135mm	
Packaging:	Carton Size	94 cm (H) x 37 cm (W) x 21 cm (D)
	Carton Cubic metres	0.073 cubic metres
	Carton Weight	13 kg
Motor:	Twin (140 watts each)	
Airflow:	Airflow = max. 440m ³	
Noise Level:	Max. 59 dBA	
Controls:	2 speed, operated manually by separate switch on right hand side.	
Lamps:	2 x 40 W, lights operated manually by separate switch on right hand side of unit.	
Power Requirement:	240V 10 Amps	
Filter:	Aluminium mesh	
Recirculating:	Only through top of cupboard or bulkhead. At a minimum the ducting must be vented through the top of the kitchen cabinet. 2 x Carbon Filters (Optional - Code IXCF3 - available to purchase on 1800 805 300).	
Ducting:	Top Only (for details refer to the Ducting Specification Sheets under Accessories on the website)	
Duct Spigot:	120 mm	
Minimum Height Above Cooktop:	Gas:	650mm
	Electric:	650mm
Method of Installation:	Built into overhead cupboard	
Note:	298mm depth is the minimum cabinet depth required for rangehood. Allow a min. of 10mm extra if wall is tiled before fitting rangehood.	
Country of Origin:	Italy	

RANGEHOODS

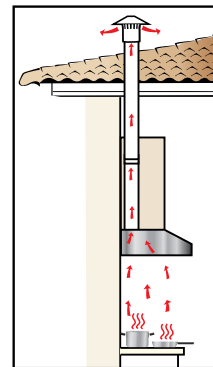
SLIDE OUT
RANGEHOOD
900



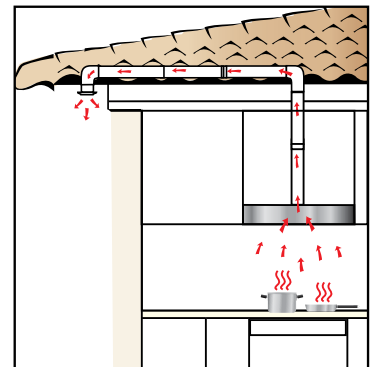
Rear ducted to outside



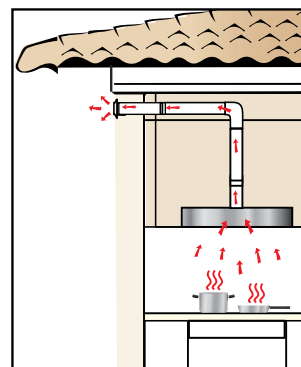
Top ducted to outside



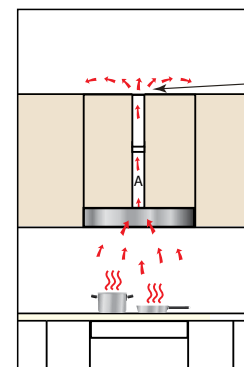
Side ducted to outside



Side ducted through bulkhead



Top recirculating through cupboard



Mesh cover should be fitted over hole