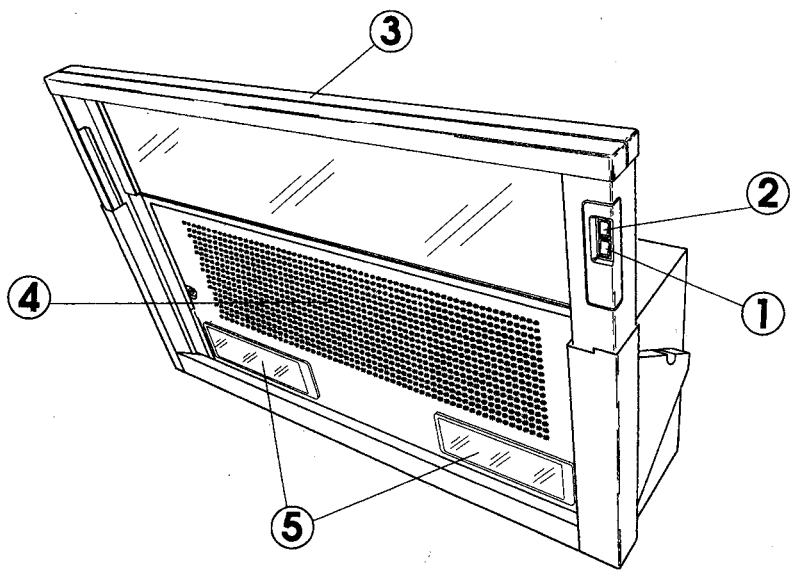


600mm Slideout Rangehoods

MODELS: IRO6SE2
IRO6WE2



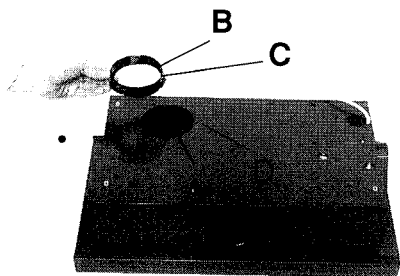


Fig. 1

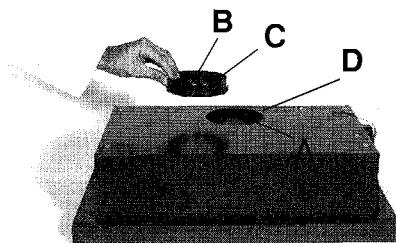


Fig. 1

Attention! If removing the grill is difficult, check that the drawer has been completely opened.

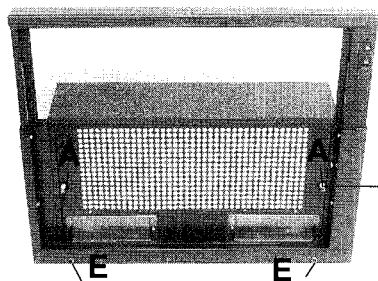


Fig. 2

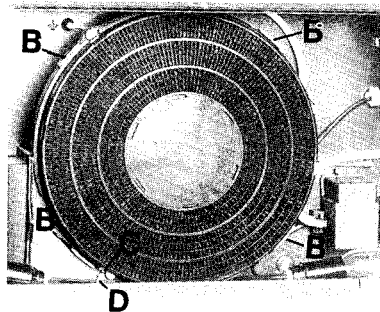
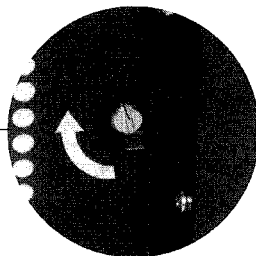


Fig. 3

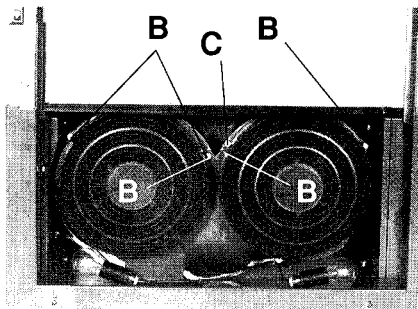


Fig. 3

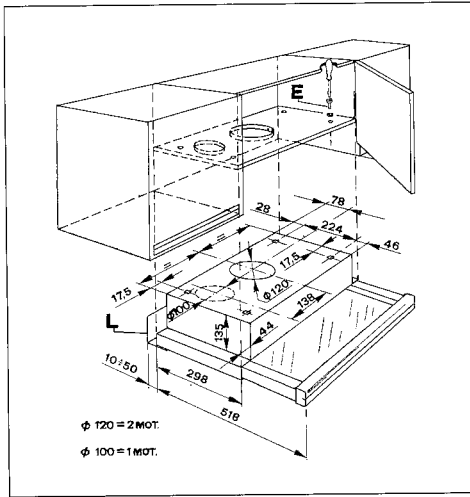


Fig. 4

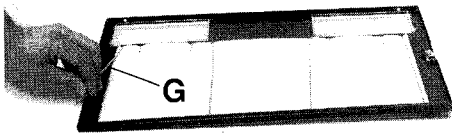


Fig. 5

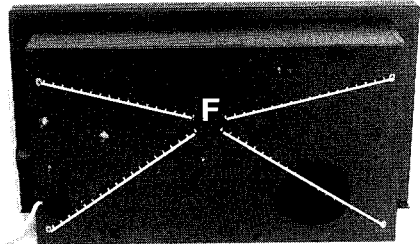


Fig. 6

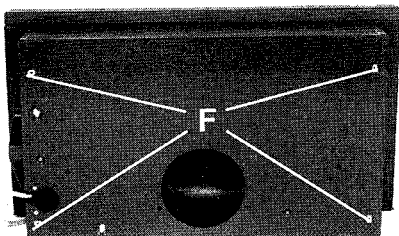


Fig.6

VIEW OF THE HOOD

- 1) MOTOR SPEED SWITCH
- 2) LIGHT SWITCH
- 3) EXTRACTABLE DRAWER
- 4) GRILL
- 5) COOKING SURFACE LIGHTING

USING THE HOOD

The hood can be used in the following ways:

- External exhausting model (suction)
- Recycling model (filtering)

EXTERNAL EXHAUSTING MODEL

The air is expelled outside by means of pipes to be connected to the coupling ring B (fig. 1). On application with the unit a non-return smoke valve is supplied to be mounted on the coupling flange. When mounting the coupling flange equipped with the non-return valve, make the point C of the flange coincide with the small triangle D printed on the body of the appliance (fig. 1).

RECYCLING (filtering) MODEL

The air is filtered through a carbon filter and then sent back into the room. This model is used when there is no discharge pipe towards the outside of the room and it is not possible to install it. In order to use it in this version, do the following operations:

- Ask for the active carbon filter from our Technical Assistance Service, specifying the model of the unit.

Note: carbon filters are an option.

- Open the grill by turning the locks A (fig. 2).
- Insert the filter into the points B (fig. 3) by making the point C coincide with point D and turn it in a clockwise direction, as indicated by the arrow until it is secured. The filtered air is discharged above the

cupboard through a pipe of dia. 100 (120 for hoods with two motors) which goes through the cupboard.

- Put the grill back.

ELECTRICAL CONNECTION

Before making the electrical connection check that the current supplied corresponds to the technical specifications indicated on the technical data plate located inside the hood. The hood may be supplied with a standard plug and if so connect it to a correspondingly standard socket. If the appliance is not fitted with a plug, either fit a plug conforming to regulations or a two-pole switch conforming to regulations with an opening distance between contacts of not less than 3 mm. The manufacturers are not liable for any problems caused by the user's failure to observe the above instructions.

FASTENING THE HOOD

After having prepared everything according to the chosen use of the hood, one can continue installing it.

The unit, once put into position, cannot be less than 60 cm. from the working surface in the case of electric burners in the case of gas burners or mixed ones.

Note: local gas authorities may require a different minimum height.

The exhaust pipe for the fumes must have a diameter of 100 mm. (120 mm for hoods with two motors). In the horizontal stretches of the pipe it must be slightly inclined (about 10%) upwards for easier conveying of the air towards the outside of the room. This unit is foreseen to be encased in a cupboard.

In order to fasten the unit do as follows:

- Drill the holes on the bottom of the cupboard using the drilling diagram supplied with the unit. From inside the hood insert the 4 screws E 3,5x35 (fig. 4) supplied with the unit and screw them onto the

nuts F (fig. 6-7). Adjust the angle frame L (fig. 4) tightly to the wall, making use of the apposite screws E (fig. 2). Make a hole dia. 110-115 mm. on the bottom and the top of the cupboard (130-135 mm. in case of hoods with two motors) for the passage of the exhaust pipe.

- The hood must not be connected to combustion discharge pipes (such as boilers, radiators, water heaters, etc.). — If the hood is to be used in a room where heating units are operating with exhausts connected to the outside, it is necessary to assure that fresh air enters the room (for example, it is sufficient to slightly open either the window or door).

Exhaust air must not be discharged into a wall cavity, unless designed for this purpose.

OPERATION

The hood is provided, according to the model, with one motor (VERSION WITH BALANCE SWITCHES), or with two motors, with electronic variable speed drive (ELECTRONIC VERSION).

To get best efficiency, we suggest to use slow speeds in normal conditions and the highest in particular cases of strong smell and vapour concentration.

The hood is equipped with a microswitch which allows, upon opening the flap, the starting of the aspirator at the pre-selected speed.

It is recommended to let the unit operate a little before (5 min.) starting cooking of any food and to let it run for about 15 minutes after cooking. In order to increase the suction surface open the glass visor. The use of an open-flame under the hood damages the filters and may cause fires, therefore it is to be avoided in any case. The frung of foods must be done under supervision, the heated oil may cause a fire.

The manufacturer refuses any responsibility for eventual damages or fires caused

to the unit which arise from the non-observance of the above conditions.

MAINTENANCE

Disconnect the unit from the electrical supply before doing any maintenance work.

GREASE FILTER

Its function is to withhold the grease particles in suspension.

The grease filter is available in two different types:

1) Special paper filter - not washable (thickness: 1 mm approx.): the filter has to be replaced once a month.

2) Filter in layers of stretched aluminium: at more or less frequent intervals according to the use of the appliance, in any case at least once every 30 days of normal use, wash the filter in the dish washer or in soapy water. In order to remove the filter first remove the grill by turning the locks A (fig. 2). Remove the stops G (fig. 5) and take out the filter H. It is advisable when cleaning the grease filter to also wash the grill in luke-warm water and soap.

CARBON FILTER

Its purpose is to dissipate the odours given off by foods during cooking. It must be replaced every 4 months of normal use, asking for the replacement from our Technical Assistance Service. The charcoal filter must in no way ever be washed. In order to remove it, turn the filter in a counter clockwise direction until it unhooks from its seat.

CLEANING

In order to clean the hood use a cloth dampened with alcohol or with products suitable for the task which can be bought on the market.

Avoid the use of abrasive products.

Changing the bulbs

- Disconnect the hood from the electricity.
- Remove the grill.
- Always replace burnt-out bulbs with olive-shaped max. 40 Watt (E 14) bulbs.
- Before calling for repair service because the hood fails to light up, make sure the bulbs are screwed in tightly.

ATTENTION

The manufacturer does not take responsibility for eventual damages caused to the motor or for fires caused by lack of maintenance of the filters as described above.

The TORIN European Stovehood is guaranteed to be free from material defects and faulty manufacture for a period of 12 months from the date of purchase .
Should any faults in materials or manufacture be found, repairs will be without charge, on presentation of proof of purchase.
Repairs under this warranty are confined to faults in manufacture and do not cover damage due to accidental breakage misuse or other abuse. This warranty is offered in addition to any consumer rights available under the law.

SERVICE

Contact your Retailer or our appointed representative in your State.

TORIN - NSW.	(047) 31 5444
TORIN - VICTORIA	(03) 480 0244
FORDON WHOLESALE DISTRIBUTORS Q	(07) 844 3252
CUTTING & SMITH PTY LTD. - S.A.	(08) 371 1210
G & R SALES - W.A.	(09) 277 9955
NEIL DAVIES PTY. LTD. - A.C.T.	(062) 80 4177
NEIL DAVIES PTY. LTD. - WAGGA NSW	(069) 25 1077
RAY VINEY (AGENCIES) - NEWCASTLE NSW	(049) 67 3022

SUGGESTIONS

A constant maintenance guarantees a good operation and good performance of the unit. The best performance of the unit is obtained in the external exhaust model (suction), therefore in the limits of the possibilities it is advised to use the external exhaust (suction) type.

The best performances are obtained with short pipes and with few curves. In order to eliminate loss of heat towards the outside; in the winter period the unit can be used in the recycling (filtering) mode.

In the event of fire, disconnect immediately the unit from the power supply remove the source of fire (pots, etc.). Never use water to extinguish fires, but use suitable products which can be found on the market.

