

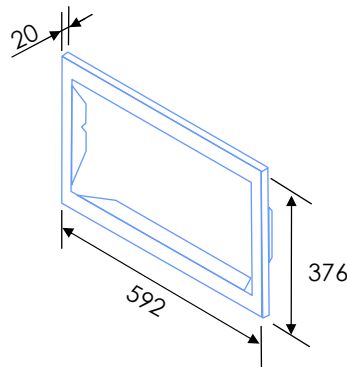
MICROWAVE

Electronic
30 litre



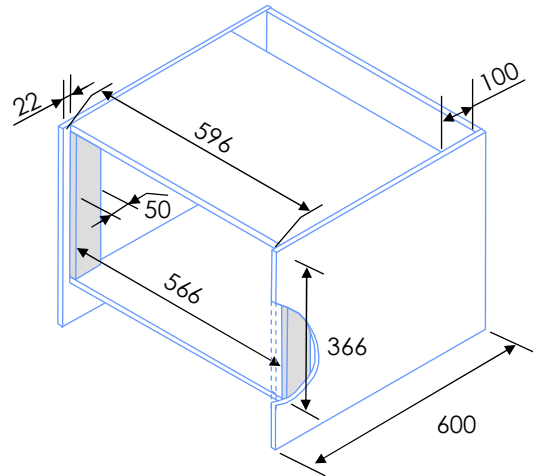
Colour:	Stainless Steel
Model:	IM30SE3
Dimensions:	520mm (W) x 430mm (D) x 300mm (H)
Oven Cavity Dimensions:	350mm (W) x 372mm (D) x 232mm (H)
Oven Cavity:	<ul style="list-style-type: none"> - 30 litre capacity - Stainless steel - 315mm glass turntable - 20 watt light globe
Microwave output:	900 watts
Cooking Moods:	<ul style="list-style-type: none"> - Microwave only – 5 levels - Auto cook function – rice, vegetable, meat, noodles, fish & reheat - Auto defrost function – up to 2kg - Quick start – 1 minute
Microwave levels:	900W, 630W, 450W, 300W & 90W
Digital Clock:	24 hour clock, LED display
Programmable timer:	<ul style="list-style-type: none"> - Can be set for delay start time - 60 minute timer
Other:	<ul style="list-style-type: none"> - Child lock - Memory function - Adjustable feet to maintain level microwave - Can be Built-in with optional IMI30ST3 trim kit
Power requirement	220-240V / 50 Hz
Electrical Connection:	Fitted with 1 metre flexible cable with 3 pin plug
Built-in Installation:	<p>Refer to Figure 1 for dimensions required</p> <p>NOTE: Building in under bench with trim kit it not recommended unless adequate airflow is provided. Placing in open cavity under bench is possible as long and minimum space requirements are adhered to.</p>
Building-in above an oven:	Refer to Figure 2 for heat shield requirement

INSTALLATION INFORMATION



IMI30ST3 Trim Kit dimensions

Figure 1 Building – In Cabinet requirements



Note: Minimum space requirement around microwave oven is 40mm on top and rear back and 20mm on sides

REQUIREMENT OF HEAT SHIELD

When the microwave oven is installed above a conventional oven and both operated at the same time there is risk of overheating and possible damage to the microwave oven. The addition of a vertical heat shield is required to ensure the heat from the oven does not enter the microwave oven space

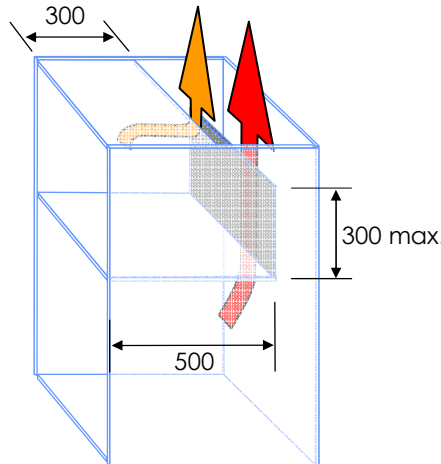
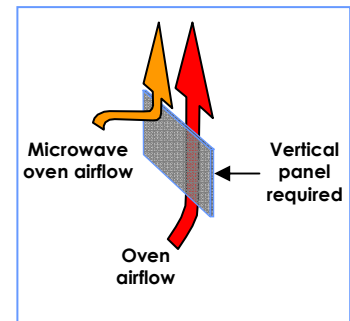


Figure 2



All IAG Appliances have a complete 2-Year Warranty on parts and labour. Our Toll Free Customer Service Number 1800 805 300 provides helpful advice and ready access to a nationwide service team.



EXTENDED WARRANTY

All IAG electric or gas appliances for your kitchen are now available with an OPTIONAL full 5 year Parts and Labour Warranty.

Visit www.iagappliances.com.au or call our Toll Free Customer Service Number 1800 805 300 for details.

www.iagappliances.com.au

Integrated Appliance Group Pty Ltd
 ABN 53 093 809 360
 20 Carlotta Street,
 Artarmon NSW 2064
 T 1800 805 300 F (02) 9958 3555
 E info@iagappliances.com.au

