

DISHWASHERS

INTEGRATED
600



Colour:	Integrated (Kitchen cabinet builder to supply panel)
Model:	IDI6IE4
Dimensions:	820 to 890mm (H) x 595mm (W) x 540mm (D)
Capacity:	12 standard settings
Features:	<ul style="list-style-type: none"> • Electronic push button controls • Internal control panel with digital display • 24hour delay start • Quick Height Adjust top basket • ½ load option (top basket) • 3 piece cutlery basket • Audible sound when end of cycle reached
Water safety:	Aquasafe inlet system
Tub & Inner door:	Stainless steel
Noise Level:	52dBa
Total power:	2100watt (240volt / 50Hz)
Heating Element:	Concealed - 1800 watt
Wash Options:	<ul style="list-style-type: none"> • Intensive (Strong) – 50°C wash + 70°C rinse • Heavy – 50°C wash + 70°C rinse • Normal – 50°C wash + 60°C rinse • Glass – 50°C wash + 60°C rinse • Rapid (55 min. wash) – 50°C wash + 50°C rinse • Rinse – 70°C rinse • Soak – cold water only
Water usage:	17.7 litres (maximum)
WELS star rating:	2.5 star (15.8 litres)
ENERGY rating:	2 star (379 KWh per year)
Method of Installation:	Integrated

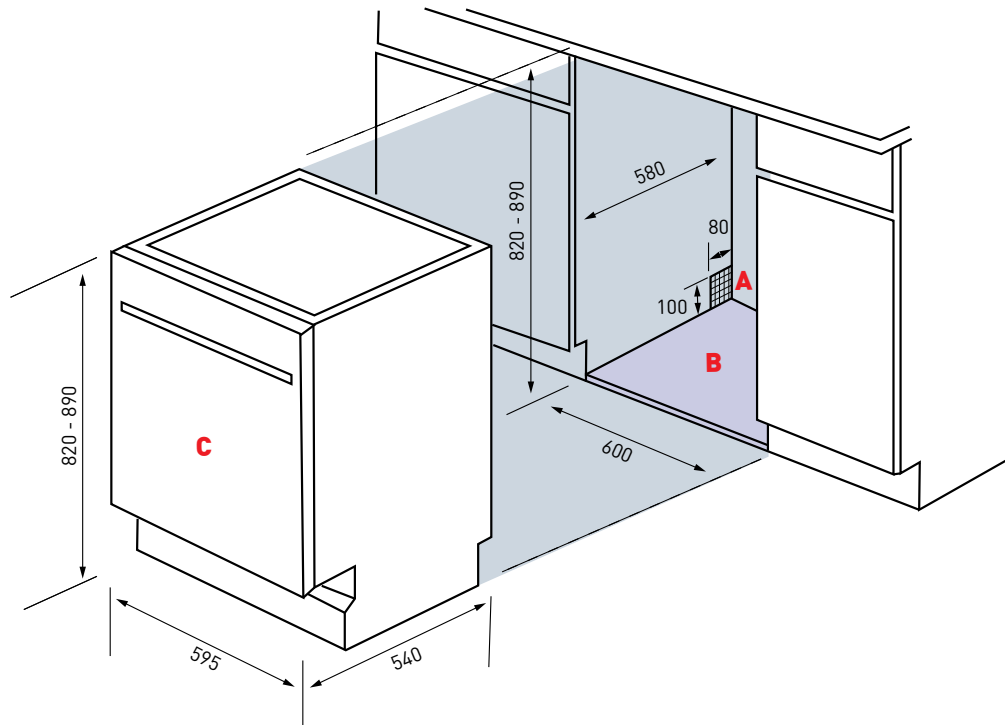


DISHWASHERS

INTEGRATED
600

INSTALLATION INFORMATION

- A** Cutout for electrical power cable, drain hose and water inlet hose either left or right side depending on kitchen design
- B** Waterproof board or similar to ensure the floor under the dishwasher is level with the finished kitchen floor otherwise inability to remove dishwasher may negate warranty.
- C** Panel supplied by kitchen cabinet builder to match kitchen cabinetry



DISHWASHERS

INTEGRATED
600

Aquasafe inlet system



Fully loaded adjustable top basket



WASH CYCLE TABLE

Program	Cycle Selection Information	Description of Cycle	Running Time	Maximum Water Usage
Intensive	For the heaviest soiled loads, such as pots, pans, casserole dishes and dishes that have been sitting with dried food on them for a while.	Pre-Wash Wash Rinse Drying	161 minutes	17.7 litres
Heavy	For heavy soiled loads, such as pots, plates, glasses and lightly soiled pans	Pre-Wash Wash Rinse Drying	149 minutes	17.4 litres
Normal <small>(AS/NZS 2007.1)</small>	For normal soiled loads, such as plates, glasses, bowls and lightly soiled pans	Pre-Wash Wash Rinse Drying	142 minutes	13.7 litres
Rinse	For dishes that need to be rinsed and dried only	Pre-Wash Rinse Drying	81 minutes	7.6 litres
Glass	For lightly soiled loads such as glasses, fine china & Crystal (check manufacturers recommendations)	Pre-Wash Wash Rinse Drying	112 minutes	
Rapid	A shorter wash for lightly soiled loads that do not need drying	Wash Rinse	55 minutes	9.9 litres
Soak	To rinse dishes that you plan to wash at a later time	Pre-Wash	8 minutes	3.7 litres

All IAG Appliances have a complete 2-Year Warranty on parts and labour. Our Toll Free Customer Service Number 1800 805 300 provides helpful advice and ready access to a nationwide service team.



EXTENDED WARRANTY

All IAG electric or gas appliances for your kitchen are now available with an OPTIONAL full 5 year Parts and Labour Warranty. Visit www.iagappliances.com.au or call our Toll Free Customer Service Number 1800 805 300 for details.