



PRODUCT SERVICE PHONE NUMBER

1 8 0 0 8 0 5 3 0 0

Montagheani (Italy) - Cod. 537529 0507

Electric Built-in Hobs

MODELS: ICS6WE2
ICS6SE2



INSTALLATION AND OPERATION MANUAL

Congratulations on the purchase of your new **Hot Plate** which is built to give you years of satisfactory service and pleasure when properly cared for and used.

Producing an efficient Hotplate that conserves energy required a considerable investment of time, effort and money. Your Hotplate is engineered to surpass all performance and safety requirements. However, safety is also YOUR responsibility through proper use and care.

With this in mind, it is important that you read this booklet. Acquaint yourself with the features and follow the use and care suggestions carefully for complete satisfaction.

Remember: only authorised personnel must make the necessary electrical connections.

Be sure you know the correct model and serial model of your Hotplate. The data plate is sealed on the outside of the lower case of your Hotplate.

Model Colour

Serial Number

Installation Date

Dealer's Name and Address

ENVIRONMENTAL WARNING

Waste packaging

Do not throw the packaging of your appliance into the dustbin, but pick out the different materials (e.g. foil, paperboard, polystyrene) according to the local rules for rubbish elimination.

This appliance must only be used for the purpose of domestic cooking.

WARNING

- * This appliance is not intended for use by young children or infirm persons without supervision.
- * Young children should be supervised to ensure that they do not play with the appliance.

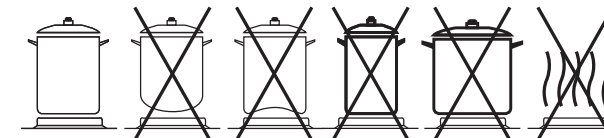
WHERE THIS APPLIANCE IS INSTALLED IN MARINE CRAFT OR IN CARAVANS, IT SHALL NOT BE USED AS A SPACE HEATER.

WARNING - Accessible parts will become hot when in use. To avoid burns and scalds children should be kept away.

INDEX

INSTALLATION INTRUCTIONSpag. 3 - 5
ELECTRIC USER INSTRUCTIONSpag. 6 - 8

USERS INSTRUCTIONS



CLEANING

Cleaning should only be carried out when the appliance is COOL and is SWITCHED OFF. Always clean off spillage as quickly as possible; to prevent burning which will make removal more difficult. Do not use harsh abrasive rags or products; they Can seriously damage the appliance. For Hotplate top use a wet cloth with liquid detergent and dry by means of a soft cloth. For electric hot plates; wipe with a clean cloth soaked in hot soapy water to remove excess spillage. For stubborn marks use a mild paste cleaner or moist soap pad. Dry the plate thoroughly after cleaning. To maintain the plates, rub the surface with a little neutral oil periodically. Ensure all cleaning agents are thoroughly removed.

WARNING

Before its first use or, if the plate has not been used for some time, it is necessary to eliminate the humidity absorbed by the insulating layer mixture. To provide for the drying of such, engage the electric plate for 30 minutes on position 1 of the switch. During the use or the cleaning of the appliance, pay attention that water or any liquid does not enter into the appliance through the holes around the rods of the switches. Water or juice or sauce will produce dangerous short-circuits and can seriously damage the working of the Hotplate. The base of the Hotplate casing will become hot in use and must not be touched through a drawer or cupboard openings.

TROUBLE - SHOOTING GUIDE

BEFORE YOU CALL THE SERVICE MAN

A review of the following may save you a service call and if not it may help you explain the malfunction to the serviceman. Read the operating instructions carefully.

Be sure you know how to operate the appliance.

- Check to ensure Hotplate cord is plugged into outlet. Check for a blown fuse or tripped circuit breaker.
- Check for power wattage.

WHEN YOU CALL FOR SERVICE

When you call for service or order parts for you Hotplate be sure to give:

1. MODEL
2. SERIAL NUMBER
3. COLOUR
4. PART NAME and/or description of problem
5. YOUR FULL NAME, ADDRESS, and HOME TELEPHONE NUMBER and BUSINESS TELEPHONE NUMBER IF APPROPRIATE
6. "FOR NUMBER SERVICE CONTACT" SEE DATA LABEL LOCATED ON BASE OF THE APPLIANCE

Maintenance schedule:

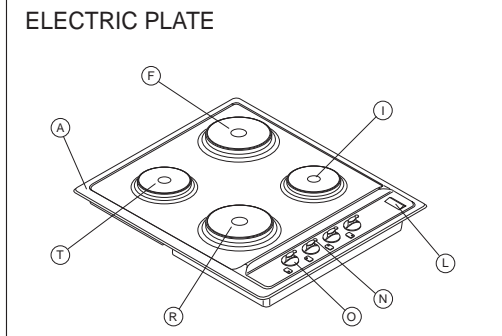
To ensure the appliance continues to operate at peak performance, we recommend a routine service call every 2 years for the life of the appliance.

USERS INSTRUCTIONS

USING THE ELECTRIC HOB

DESCRIPTION

- A Work-top
- F Electric plate Ø 180 - left
- I Electric plate Ø 145 - right
- L Holder for mark label
- N Warning light for plate
- O Electric knob
- R Electric plate Ø 180 - right
- T Electric plate Ø 145 - left



USING THE HOT PLATES

The Hotplate may have two different types of hot plates; rapid action plate compared with the standard one, offers the advantage of faster heating and more power for faster cooking. The hot plates operate at a fixed setting according to the position selected on the control knob. To switch on, turn the appropriate control knob to the required setting (setting 6 operates at full rate). To switch off, turn the control knob to the OFF position (marked •). The electric plate working is indicated by a warning light on the control panel. Turn the appropriate control knob clockwise to the required setting according to the cooking task. The following table may be used as a guide for settings.

Setting	Cooking Tasks
1 - Very low	Warming, melting butter or chocolate.
2 - Low	Stews, milk pudding, cream sauces, fried eggs.
3 - Low-medium	Stewed fruit, frozen foods, boiling milk.
4 - Medium	Boiled potatoes, fresh vegetables soups, fish.
5 - High	Large quantities of stew etc. fish, omelettes, steaks.
6 - Fast	Steaks, escalopes, frying, boiling water.

WARNING

Always use pans with a flat base to ensure even contact with the hotplate. The correct size of pan should be used so that the whole of the hot plate is covered. Never switch on the hotplates without a pan in position, as the hot plate will become distorted. To ensure even contact and to prolong the life of hot plates, the base of the pans should be kept clean and dry. Do not use "split pans" as uneven heating of the hot plates will occur. For safety, keep saucepan handles turned to a safe position so that they are out of reach of small children and cannot be accidentally knocked. **Take care never to reach over an electric hotplate, and allow time to cool before attempting to clean.**

INSTALLATION INSTRUCTIONS

IMPORTANT NOTICE TO THE INSTALLER

Important: several parts are protected with a special anti-scratch film. Please remove it before use.

DIMENSIONS

Overall Height above work surface.....45 mm (13/4 in)
 Width.....580 mm (22 13/16 in)
 Depth.....500 mm (19 11/16 in)
 Minimum space above hotplate600 mm (24 in)

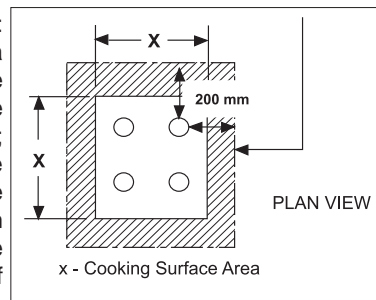
CONNECTIONS

Electric.....2.5 mm² 3 core cable (25 amp fuse required)

POSITIONING

The unit must not be fitted closer than 30 mm to cupboards or a wall of non-combustible material at the left hand side. No shelf or overhang should be closer than 600 mm (23 5/8 in) above the unit unless protected by a suitable fireproof material. In addition, there should be a clearance of at least 110 mm (4 5/6 in) between the back wall and the back edge of the unit. Protected Area: Any combustible surface within this area, except upward facing surfaces, must be protected by an approved noncombustible material.

The protected area extends: (a) above the prohibited area by 150 mm vertically for the full width and depth of the cooking surface area and; (b) horizontally beyond the edge of the cooking surface area to a point 200 mm from any burner, as shown, in the plan view, and to a height of 450 mm above the top .



INSTALLATION

This Hotplate unit is suitable for installation into a work surface which has a minimum depth of 600 mm (23 5/8 in) and which is resistant to temperature up to 90°C). Prepare a cut-out in the work top with dimensions 480 mm (18 7/8 in) back to front and 560 mm (21 5/8 in) side to side. The cut-out should not be less than 45 mm (1 3/4 in) from the rear edge of the work surface. When the HP is installed there must be a minimum clearance of 110 mm (4 5/6 in) between both the left hand edge and the rear edge of the Hotplate and any adjacent walls or cabinets (See Fig. 1).

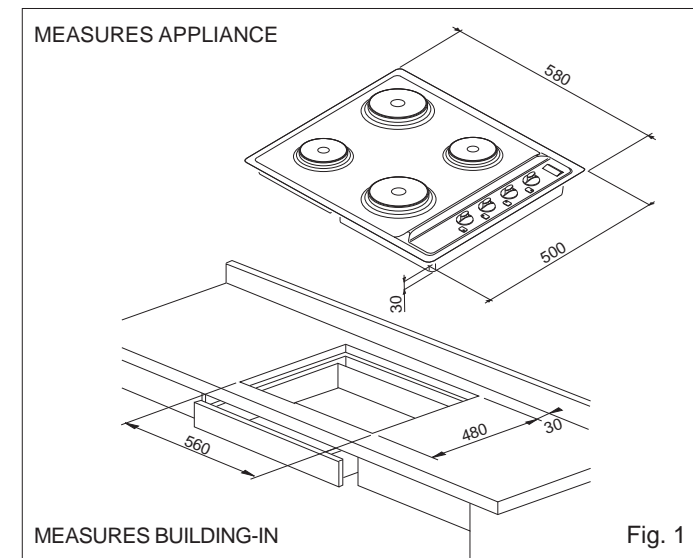
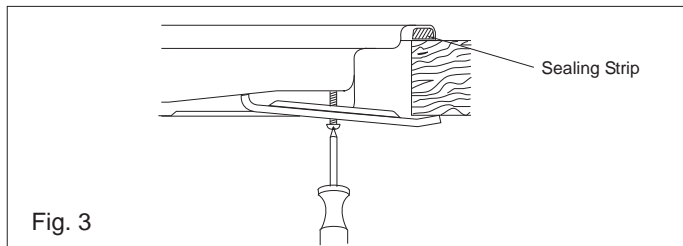


Fig. 1

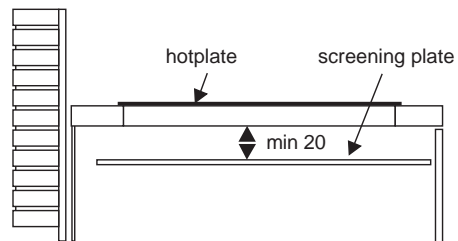
INSTALLATION INSTRUCTIONS

BENCH TOP FIXINGS

The Hotplate unit is fixed to the work top by metal clamps with a self-adhesive rubber seal between the unit and the work top. Ensure that the self-adhesive seal is adhered to the underside of the unit surface and near as possible to the outer edge of the unit as illustrated in Fig. 3. Secure the Hotplate to the work top by means of the fixing clamps and ensure that the joint between the unit and the work top is airtight by tightening the fixing clamps. The clamps supplied are suitable for work tops with thickness from 25 to 40 mm. (1 in. to 1 9/16 in).



When the appliance is installed so that the base can be touched, we recommend fitting a protecting shield. This shield must project at least 20mm from the lower part of the appliance and be capable of withstanding the appliance temperatures.



ELECTRIC HOTPLATE

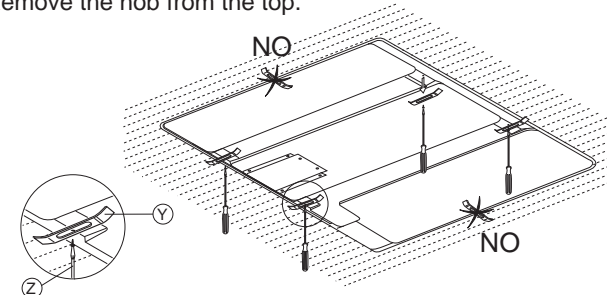
IMPORTANT NOTICE TO THE INSTALLER ELECTRICAL CONNECTION

- All connections to the supply mains should be made by authorised personnel, in compliance with the regulations in force.
 - The installer will be responsible for complying with the safety regulations.
 - **The connection can also be made direct to the supply mains by installing-between the supply mains and the appliance, a switch having minimum 3mm distance between the poles, suitable for the power input and complying with the regulation in force.**
 - Be sure that the earth wire is not interrupted by the switch.
 - The supply cable must not come into contact with any components the temperature of which exceeds the ambient temperature by 50°C. Before making any electrical connection, make sure that:
 - the electrical supply is correct for the appliance (see specifications written on the data plate).
 - the fuses and your domestic system are suitable for the power requirements of the appliance (see data plate).
 - easy access to the plug or the switch is ensured once the appliance is installed.
 - NOTE: Brown and black wires are both active.
 - Data plate is glued on the underside of the Hotplate.
- Important: several parts are protected with a special anti-scratch film. Please remove it before use.

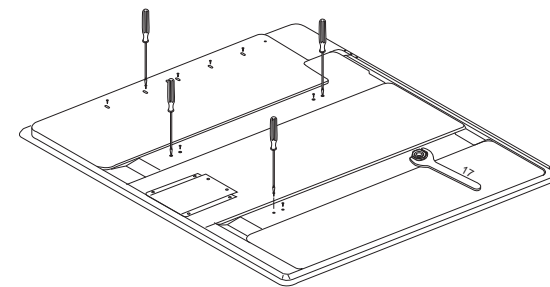
INSTALLATION INSTRUCTIONS

DISASSEMBLY OF WORK-TOP

- 1) Remove the control knobs (pulling up) from the electric the switches
- 2) Disassemble the work-top from the cabinet unscrewing screws Z blocking locking bridles Y (see paragraph "Assemblage and installation of the appliance". Remove the hob from the top.



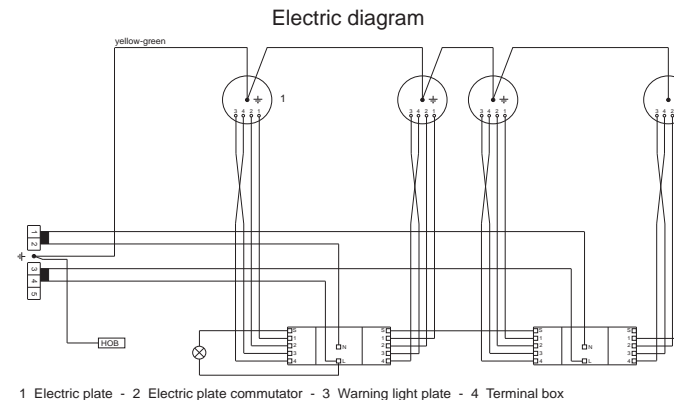
- 3) On the lower plate of the hob, on the outside there are some visible screw-nuts fixing the electrical plates to the chassis. Once these screw-nuts are unscrewed, it is possible to replace the components inside the hob (see picture below).



This appliance must not be connected integrally with any other appliance on the same sub-circuit.

WARNING: THIS APPLIANCE MUST BE EARTHED.

NOTE: For cut out dimensions see Pages 3 & 4.



SERVICING FOR HOT PLATES

These instructions are for a authorised person when it is necessary to repair or adjust internal parts of the appliance.

WARNINGS

Before performing any repair or operation, switch the appliance off.

In case it is necessary to repair or replace the inside components, act as follows: