

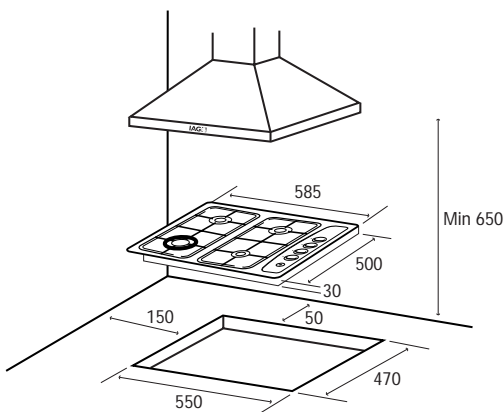
GAS 600MM



| | | |
|----------------------|--------------------------------|-------------------------------------|
| Colour: | White | Stainless Steel |
| Model: | ICS6WG1 | ICS6SG1 |
| Dimensions: | 585mm (H) x 500 (W) x 30mm (D) | |
| Cut Out Size: | 550mm (H) x 470 (W) x 30mm (D) | |
| Packaging: | <i>Carton Size</i> | 61 cm (H) x 68 cm (W) x 11.5 cm (D) |
| | <i>Carton Cubic metres</i> | 0.047 cubic metres |
| | <i>Carton Weight</i> | 11 kg |

Electrical Connection: The appliance is supplied with a 100cm long flexible supply lead with three pin plug attached. The point of attachment is located at the rear and underside of the appliance.

| Burners | Gas | Diameter Injectors | Operating Pressure | Burner Rating (MJ) | Pan Diameter (CM) |
|------------------|---------|--------------------|--------------------|--------------------|-------------------|
| Front left (wok) | Propane | 1,02 | 2,75 | 12.6 | 21-27 |
| | Natural | 1,69 | 1,00 | | |
| Front Right | Propane | 0,53 | 2,75 | 3.6 | 9-16 |
| | Natural | 0,88 | 1,00 | | |
| Rear left | Propane | 0,70 | 2,75 | 6.3 | 13-18 |
| | Natural | 1,16 | 1,00 | | |
| Rear right | Propane | 0,70 | 2,75 | 6.3 | 13-18 |
| | Natural | 1,16 | 1,00 | | |



Other:

- Suitable for natural gas, LPG & town gas – LPG jets come with appliance.
- A.G.A. Approved
- Gas entry point at rear underside of appliance
- Electronic Button Ignition

Method of Installation:

- Cut benchtop to dimensions as shown.
- Position the special sealed gasket (provided) on the edge of the cooktop making sure that the ends meet without one lying on top of the other.
- Put the cooktop in the unit opening making sure that it is centred.
- Fasten the hob to the unit with the fastening brackets. The traction of the screws will be enough to cut the sealing gasket so that the excess can easily be removed.