

## COOKTOPS

INDUCTION  
CERAMIC  
600



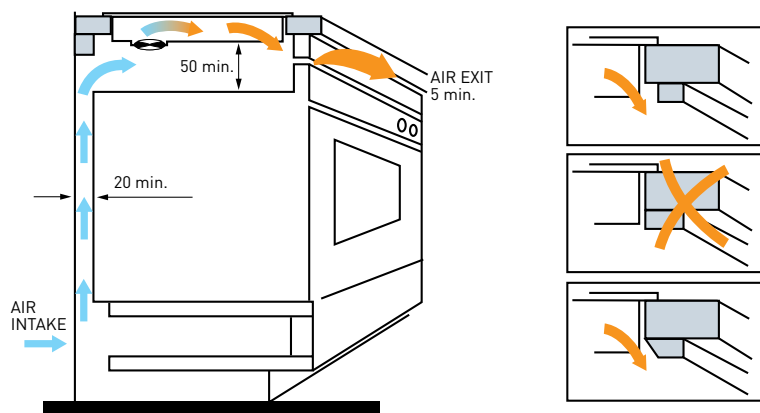
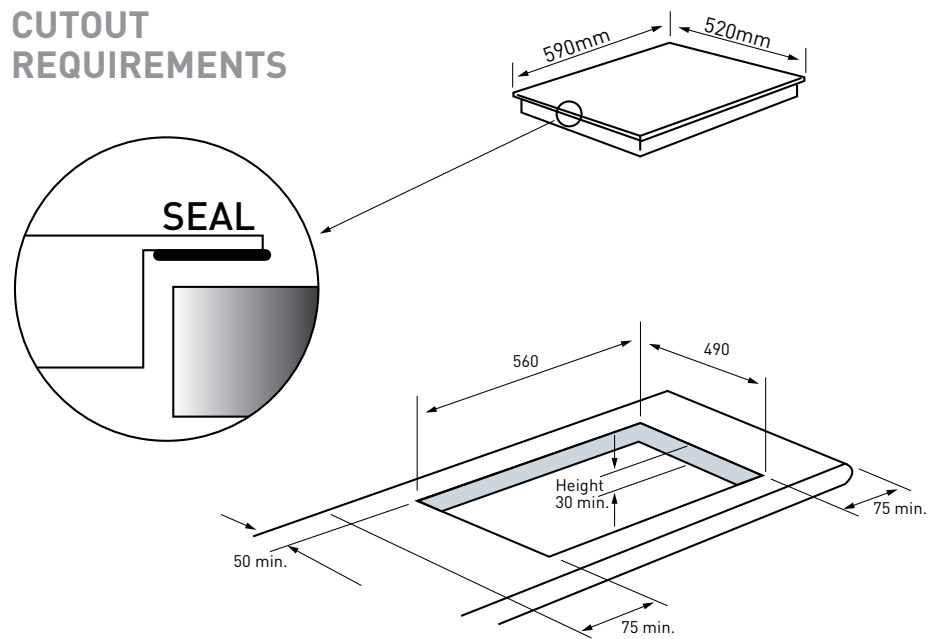
- Colour:** Black Ceramic Glass
- Model:** ICI6GE2
- Dimensions:** 590mm (H) x 520mm (W) x 60mm (D)
- Cutout Dimensions:** 560mm (H) x 490mm (W) x 55mm (D)
- Features:**
- Easy to clean ceramic glass surface - bevel edge
  - Easy access front position touch controls
  - Cooking Timer - 99 minutes
  - Residual Heat Indicator
  - 9 Power Levels
  - Auto Shut Down Protection
  - Child Lock
- Electrical Rating:** 7.0kW
- Power Requirement:** 220 - 240V / 50Hz
- Installation:** Refer to Figure 1 and 2 for installation requirements
- Warranty:** 2 Year Full Warranty - Optional 5 Year Warranty
- Cooktop Layout:**

	Kilowatt rating	Size
Front left	1.5kW	180mm
Rear left	2.0kW	180mm
Front right	1.5kW	180mm
Rear right	2.0kw	180mm

COOKTOPS

INDUCTION  
CERAMIC  
600

CUTOUT  
REQUIREMENTS



Note: the safety distance between the hotplate and the cupboard above the hotplate should be at least 760mm.

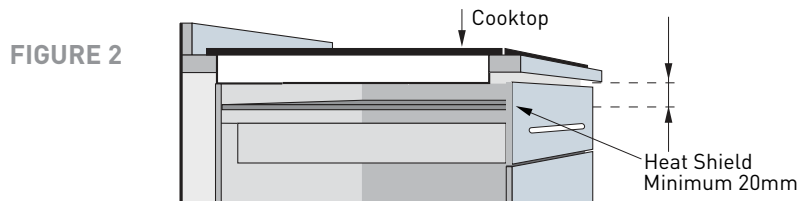
## COOKTOPS

INDUCTION  
CERAMIC  
600

### REQUIREMENT OF HEAT SHIELD

When the cooktop is installed where the base can be touched, a heat shield needs to be fitted. This shield must be affixed at least 20mm from the lower part of the cooktop. Holes drilled into the heat shield will lower the risk of overheating of the cooktop. The holes should be approximately 25mm in diameter and number around 25.

When installing the cooktop above an oven, the heat shield is not required.



All IAG Appliances have a complete 2-Year Warranty on parts and labour. Our Toll Free Customer Service Number 1800 805 300 provides helpful advice and ready access to a nationwide service team.



### EXTENDED WARRANTY

All IAG electric or gas appliances for your kitchen are now available with an **OPTIONAL** full 5 year Parts and Labour Warranty. Visit [www.iagappliances.com.au](http://www.iagappliances.com.au) or call our Toll Free Customer Service Number 1800 805 300 for details.