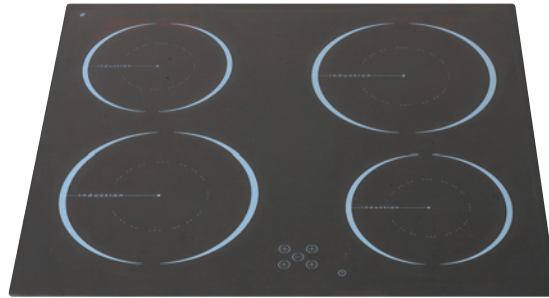
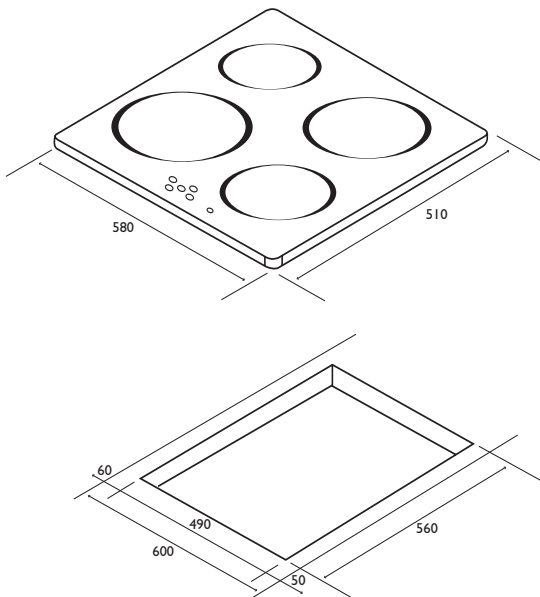


INDUCTION CERAMIC 600MM



- Colour:** Ceramic Glass, flat profile
- Model:** ICI6GE1
- Dimensions:** 580mm (H) x 510mm (W) x 51mm (D)
- Cut Cut Size:** 560mm (H) x 490mm (W) x 51mm (D)
- Packaging:**
- | | |
|---------------------|--------------------------------|
| Carton Size | 61cm (H) x 68cm (W) x 13cm (D) |
| Carton Cubic metres | 0.054 cubic metres |
| Carton Weight | 12.6 kg |

Elements	Element Rating (W)	Element Diameter	Pan size
Front left	2300	200mm	120 – 210mm
Front right	1400	160mm	90 – 160mm
Rear left	1400	160mm	90 - 160mm
Rear right	2300	200mm	120 – 210mm
Maximum Rating: 7400 (W)			
Energy consumption on stand by: 0.8 (W)			



Other:

- 240Volts ~ 50 Hz
- 32 amps
- Min. pot detection dia. of 90mm
- Touch control with 9 levels of power
- Flexible induction zones

Method of Installation:

- Cut benchtop to dimensions as shown
- Position the special sealed gasket (provided) on the edge of the cooktop making sure that the ends meet without one laying on top of the other.
- Place the cooktop in the unit opening making sure that it is centred.
- Fasten the hob to the unit with the fastening brackets. The traction of the screws will be enough to cut the sealing gasket so that the excess can easily be removed.



INDUCTION CERAMIC 600MM

Installation and Ventilation Requirements

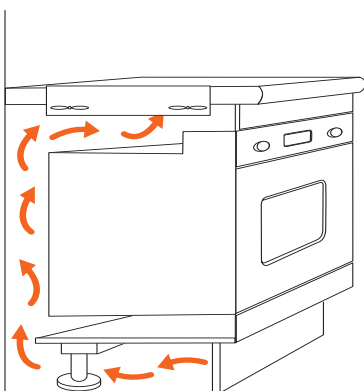
When installing an induction ceramic cooktop above a built in oven, cupboard or drawer unit, the following ventilation requirements must be carried out,

- Heat shield eg. Melamine board, is to positioned a minimum of 25mm below cooktop when positioned above cupboard or drawer unit (Fig 1).
- Ventilation holes must be drilled in top of carcass back panel to allow air circulation to cooktop when installed above cupboard or drawer unit.
- Front carcass rail must be repositioned to the vertical to allow optimum air movement in cupboard and drawer unit.
- Heat shield is to finish short – min.10mm of vertical front rail (Fig 2).
- When installed above a built in oven there is to be no back in the carcass.
- When installed above drawer unit, top drawer must be a fixed false drawer.

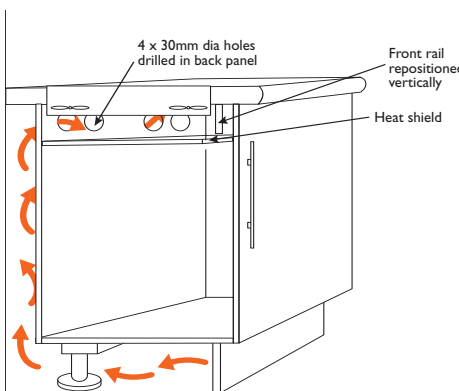
Note:

The ICI6GE1 Induction Ceramic Cooktop cannot be installed above a refrigerator, dishwasher or washing machine.

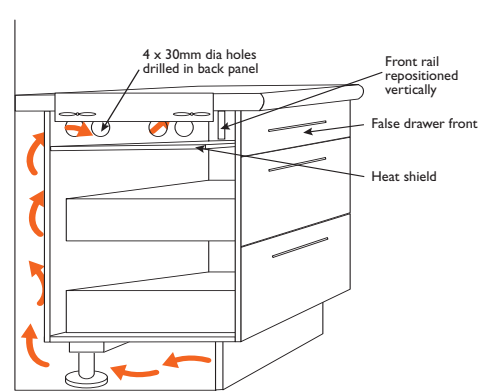
Hob installed above built in oven



Hob installed above cupboard unit



Hob installed above drawer unit



Position of heat shield below appliance

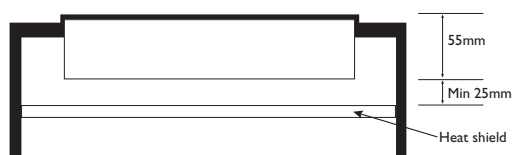


Fig. 1
Front View

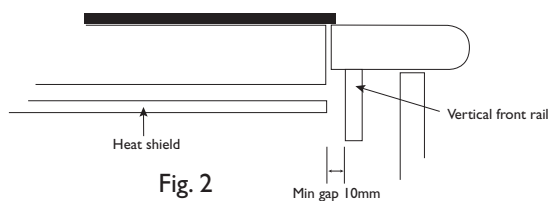


Fig. 2
Side View

Incorrect installation or failure to follow instructions may result in premature failure of cooktop and void warranty