

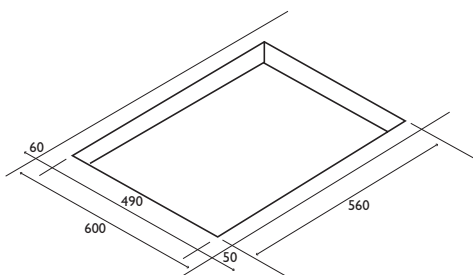
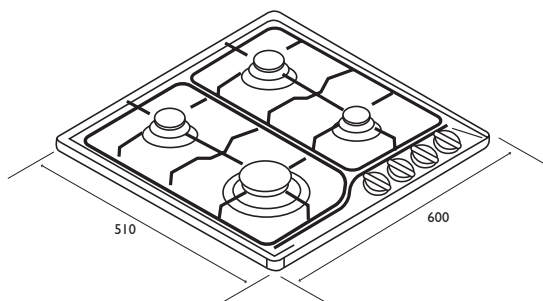
DELUXE GAS 600MM



| | | | | | | | |
|----------------------------|--|--------------------|-----------------------------------|----------------------------|--------------------|----------------------|---------|
| Colour: | Stainless Steel | | | | | | |
| Model: | ICD6SG3 | | | | | | |
| Dimensions: | 510mm (H) x 600mm (W) x 30mm (D) | | | | | | |
| Cut Cut Size: | 490mm (H) x 560mm (W) x 30mm (D) | | | | | | |
| Packaging: | <table border="0"> <tr> <td><i>Carton Size</i></td> <td>570mm (H) x 660mm (W) x 146mm (D)</td> </tr> <tr> <td><i>Carton Cubic metres</i></td> <td>0.055 cubic metres</td> </tr> <tr> <td><i>Carton Weight</i></td> <td>11.6 Kg</td> </tr> </table> | <i>Carton Size</i> | 570mm (H) x 660mm (W) x 146mm (D) | <i>Carton Cubic metres</i> | 0.055 cubic metres | <i>Carton Weight</i> | 11.6 Kg |
| <i>Carton Size</i> | 570mm (H) x 660mm (W) x 146mm (D) | | | | | | |
| <i>Carton Cubic metres</i> | 0.055 cubic metres | | | | | | |
| <i>Carton Weight</i> | 11.6 Kg | | | | | | |

Electrical Connection: The appliance is supplied with a 100cm long flexible supply lead with three pin plug attached. The point of attachment is located at the rear left and underside of appliance.

| Burners | Gas | Diameter Injectors (mm) | Operating Pressure (kPa) | Burner Rating (Mj/h) | Pan Diameter (cm) |
|------------------|---------|-------------------------|--------------------------|----------------------|-------------------|
| Front left (wok) | Propane | 0.95 | 2.75 | 13.0 | 24 - 26 |
| | Natural | 1.60 | 1.00 | | |
| Front Right | Propane | 0.52 | 2.75 | 3.6 | 10 - 14 |
| | Natural | 0.80 | 1.00 | | |
| Rear left | Propane | 0.65 | 2.75 | 6.0 | 16 - 18 |
| | Natural | 1.10 | 1.00 | | |
| Rear right | Propane | 0.65 | 2.75 | 6.0 | 16 - 18 |
| | Natural | 1.10 | 1.00 | | |



Other:

- Suitable for Natural gas, LPG & town gas – LPG jets come with appliance
- AGA approved
- Gas entry point at rear left hand underside of appliance, electrical connection right hand side rear of cooktop
- Automatic under knob ignition
- Cast iron pan trivets

Method of Installation:

- Cut benchtop to dimensions as shown
- Position the special sealed gasket (provided) on the edge of the cooktop making sure that the ends meet without one lying on top of the other
- Put the cooktop in the unit opening making sure it is centred
- Fasten the hob to the unit with the fastening brackets. The traction of the screws will be enough to cut the sealing gasket so that the excess can easily be removed.