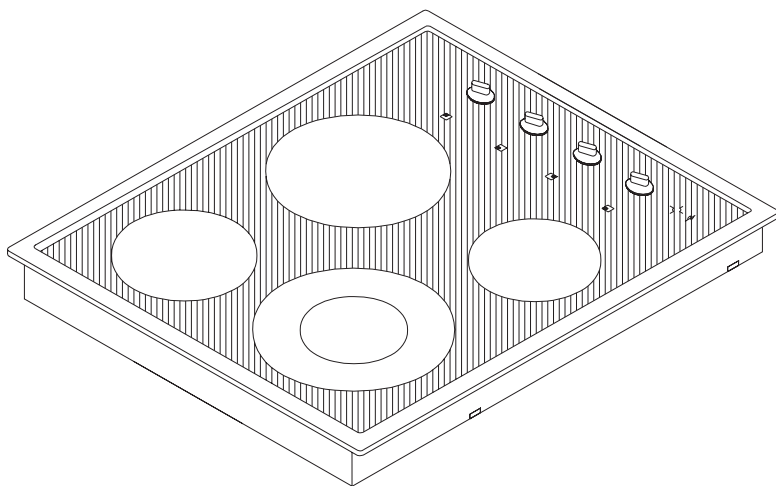


Vitrocereamic Hob

INSTALLATION AND OPERATION MANUAL

MODELS: ICC6WE1
ICC6SE1



! INSTALLATION

All operations relative to installation (electric connection) should be carried out by skilled personnel in conformity with the rules in force. As for the specific instructions see part pertaining to installer.

This instructions book is valid for different models. Please consider only the relative paragraphs.

1. INSTRUCTIONS FOR THE INSTALLER

The present instructions are turned to the skilled installer as a guide to installation, regulation and maintenance in compliance with the laws and the rules in force.

1.1 POSITIONING (Fig. 1)

The appliance is provided to be built-in a work top as shown in the special figure. Preset the sealing agent along all the perimeter. (Cut dimensions fig. 1) Block the appliance on the work top means the 4 brackets, taking into consideration the thickness of the work top. (fig. 1)

1.2 ELECTRICAL CONNECTIONS (Fig.2)

Before carrying out the electrical connections be sure that:

- the characteristics of the system are such as to satisfy what indicated on the part number plate applied to the bottom of the work top;
- the system is provided with effective ground in compliance with the rules and the provisions of law in force.

The ground is binding according to the law.

In case the appliance isn't provided with cable and/or with relative plug make use of material suitable for the absorption indicated in the part number plate and for the working temperature. The cable should reach in no point a temperature higher 50°C than the room temperature.

The earth conductor must be at least 2 cm. longer than the other conductors.

If one wishes a direct connection to the line, it's necessary to interpose an omnipolar switch with minimum opening between the contacts of 3mm dimensioned for the plate load and in conformity with the rules in force (the ground cable yellow/green should be not interrupted by the switch).

The plug on the omnipolar switch should be easily reachable with apparatus installed.

NB. The manufacturer declines all responsibility in case the above and the usual safety rules aren't respected.

2. INSTRUCTIONS FOR THE USER

2.1 USE

Set the power rotating the knobs, taking into

consideration that to the highest number corresponds the maximum power.

If the hob is fitted with extended zones, the outer heating element can be switched on turning the knob up to the end of the rotation.

2.2 PILOT LIGHTS (fig. 4)

The pilot lights are ON when:

- at least one element is inserted; (fig. 4a)
- the top temperature at the Indicated spot is higher than 50°C (fig. 4b)

2.3 RECEPTACLES (fig. 3)

When one makes use of heating elements, we advise receptacles with flat bottom having same diameter or lightly higher than that of the hot area. The containers should not have rough bottoms in order to avoid scratching the heat surface of the top; (fig. 3)

2.4 IMPORTANT

- avoid overflows of liquid, therefore when boiling has happened, or in any case when liquid is heated, reduce the heat supply;
- don't leave the heating elements on without receptacles on the top or with void pots and pans;
- at the end of cooking take again the knob to position "0" (off);
- the appliance is not intended for use by young children or infirm persons without supervision;
- young children should be supervised to ensure that they do not play with the appliance.

In the event of there being even a slight fracture of the cooking surface, disconnect the electric power supply immediately.

2.5 MAINTENANCE

First of all remove stray food bits and grease drops from the cooking surface with the special scraper option (fig.5).

Then clean the hot area as best as possible with SIDOL, STAHLFIX or other similar products with a paper towel, then rinse again with water and dry with a clean cloth.

Pieces of aluminium foil and plastic material which have inadvertently melted or sugar remains or highly sacchariferous food have to be removed immediately from the hot cooking area with the special scraper option (fig. 5).

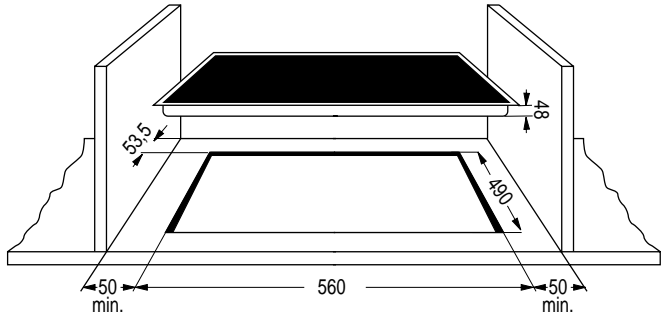
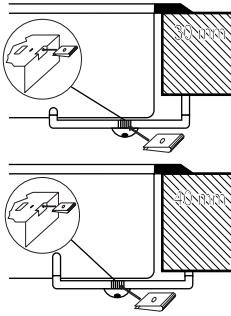
This is avoid any possible damage to the surface of the top.

Under no circumstances should abrasive sponges or irritating chemical detergents be used such as oven sprays or spot removers.

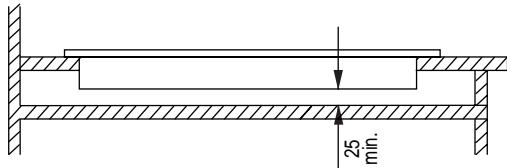
CAUTION.

As soon as any crack in the surface becomes visible, disconnect the appliance immediately from the supply. Aluminium foil and plastic vessels are not to be placed in hot surfaces. It shall also state that these surfaces are not to be used for storage.

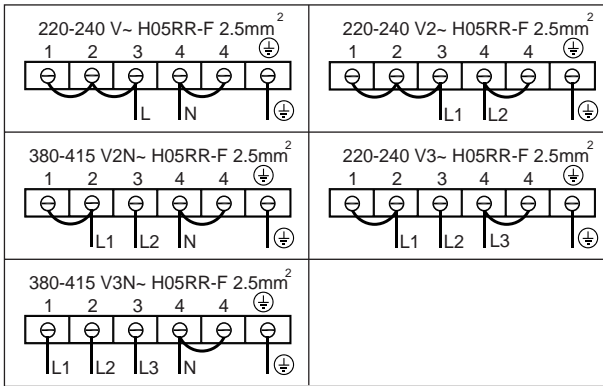
1



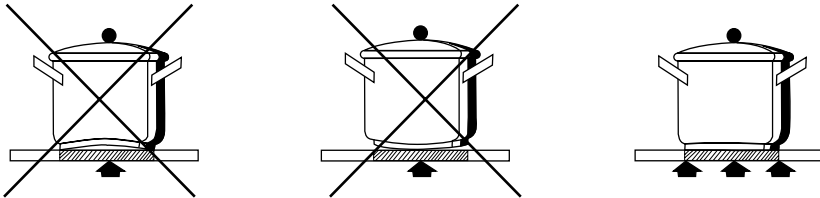
When installing the cooktop above a cupboard, a diving shelf as pictured above must be installed. If installing above an underbench oven this is not required



2



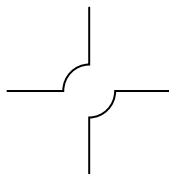
3



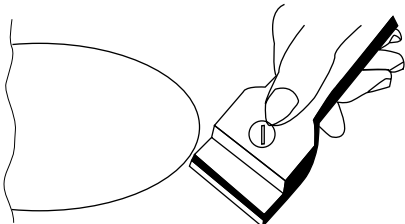
4a



4b



5





PRODUCT SERVICE PHONE NUMBER

1800 805 300