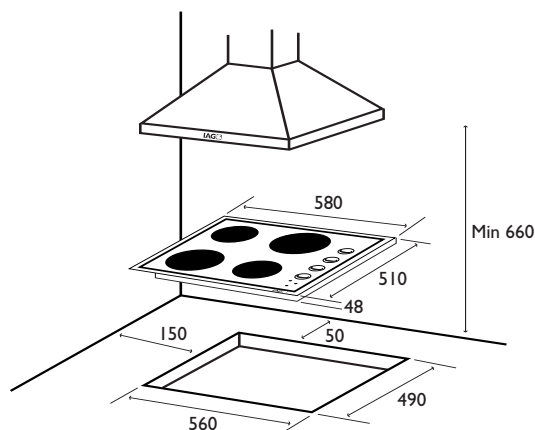


CERAMIC 600MM



- | | | |
|-------------------------------|--|--|
| Colour: | Ceramic Glass White Trim White Knobs | Ceramic Glass Stainless Steel Trim Black Knobs |
| Model: | ICC6WE1 | ICC6SE1 |
| Dimensions: | 580mm (H) x 510 (W) x 48mm (D) | |
| Cut Out Size: | 560mm (H) x 490 (W) x 48mm (D) | |
| Packaging: | <i>Carton Size</i> 56 cm (H) x 65 cm (W) x 12 cm (D) <i>Carton Cubic metres</i> 0.043 cubic metres <i>Carton Weight</i> 9.5 kg | |
| Electrical Connection: | Supply lead not supplied. Connection box at right hand underside of cooktop. | |

| Elements | Plate Type | Element Rating (W) | Element Diameter |
|-----------------------|----------------------|--------------------|------------------|
| Front left | Highlight Rapid Heat | 1700 | 180 |
| Front Right | Highlight Rapid Heat | 1200 | 145 |
| Rear left | Highlight Rapid Heat | 1200 | 145 |
| Rear right | Highlight Rapid Heat | 1700 | 180 |
| Maximum Rating | | 5800 (W) | |



- Other:**
- 240 Volts ~ 50 Hz
 - 25 amps
 - Must be hard wired, single phase
 - 4 residual heat safety warning lights
 - Graduated temperature controls 1-9

- Method of Installation:**
- Cut benchtop to dimensions as shown.
 - Position the special sealed gasket (provided) on the edge of the cooktop making sure that the ends meet without one lying on top of the other.
 - Put the cooktop in the unit opening making sure that it is centred.
 - Fasten the hob to the unit with the fastening brackets. The traction of the screws will be enough to cut the sealing gasket so that the excess can easily be removed.