

## CANOPIES

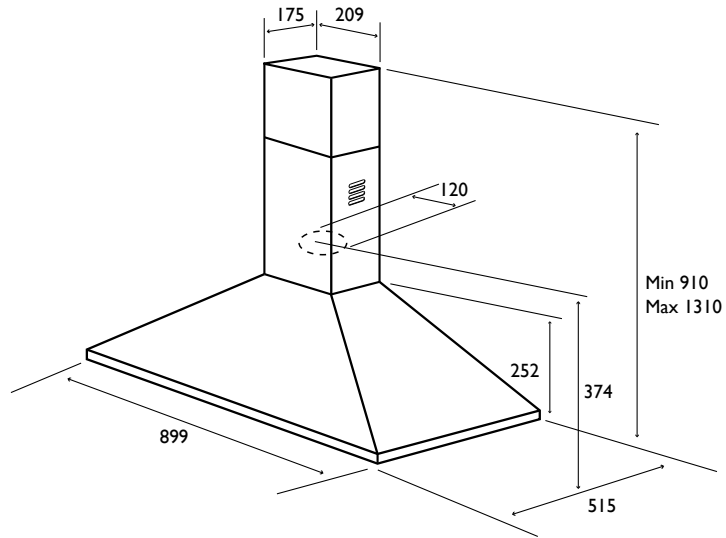
### CANOPY 900



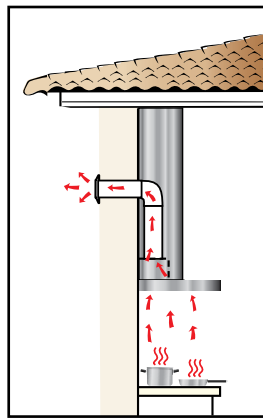
<b>Colour:</b>	Stainless Steel
<b>Model:</b>	IAS9SE1
<b>Dimensions:</b>	899mm (W) x 515mm (D) x min 910 – max 1310mm (H)
<b>Packaging:</b>	Carton Size                    60cm (H) x 99cm (W) x 37cm (D) Carton Cubic Metres        0.22 cubic metres Carton Weight                17kg
<b>Motor:</b>	Single 150 watt
<b>Airflow:</b>	Airflow = max. 600m <sup>3</sup>
<b>Noise Level:</b>	Max. 68 dBA
<b>Controls:</b>	Push button, 3 speed
<b>Lamps:</b>	2 x 40W
<b>Power Requirement:</b>	240V 10 Amps
<b>G.P.O. Location:</b>	Behind Flue approx 2150mm from floor height or 1250mm from benchtop height
<b>Filter:</b>	3 x Aluminium mesh
<b>Recirculating:</b>	Carbon Filters (Optional - <b>Code IXFC5</b> - available to purchase on 1800 805 300).
<b>Ducting:</b>	Top Only (for details refer to the Ducting Specification Sheets under Accessories on the website)
<b>Duct Spigot:</b>	120mm
<b>Maximum Extension of Flue from Floor:</b>	2960mm (Based on canopy mounted 750mm above cooktop) 3360mm (Based on canopy mounted 750mm above cooktop and using optional <b>IASXSE1</b> extension flue cover piece) - 900mm
<b>Minimum Height Above Cooktop:</b>	Gas            650mm Electric      650mm
<b>Method of Installation:</b>	Freestanding, attach to wall
<b>Country of Origin:</b>	Italy

CANOPIES

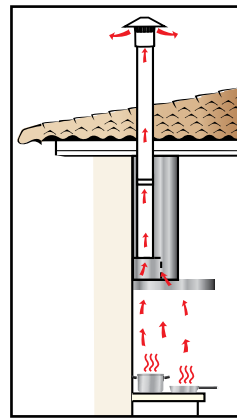
CANOOPY  
900



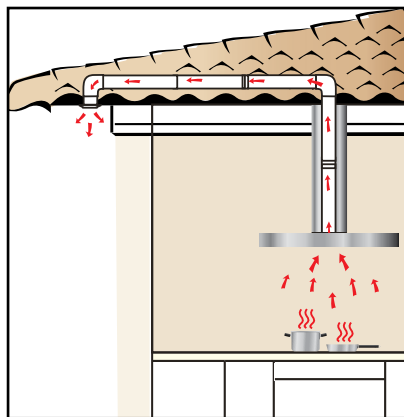
Rear ducted to outside



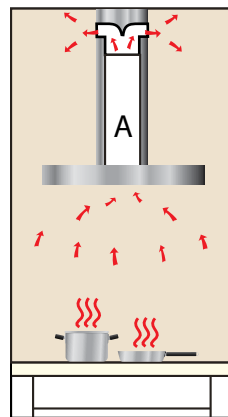
Top ducted to outside



Side ducted to outside



Recirculating Installation



A = Ducting if required