

CANOPIES

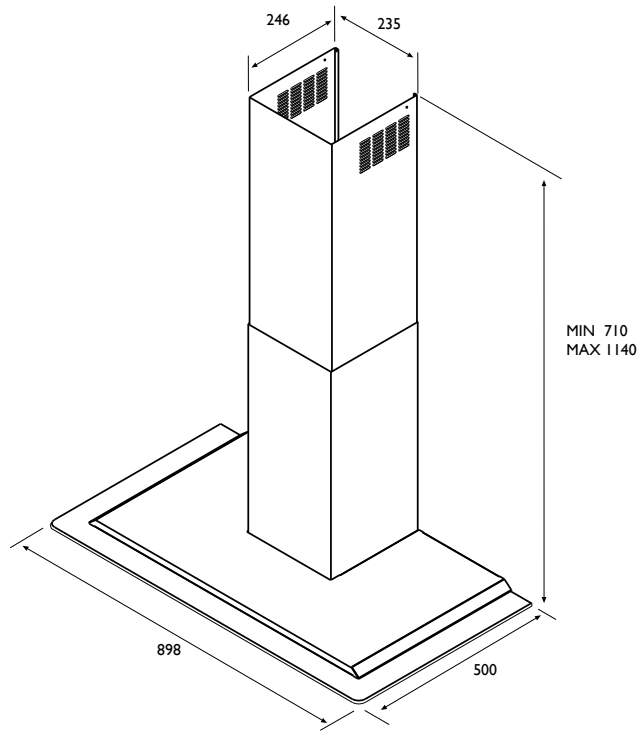
GLASS
CANOPY
900



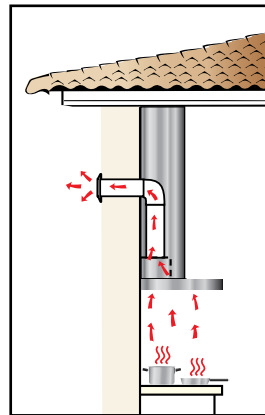
Colour:	Stainless Steel
Model:	IAG9SE2
Dimensions:	898mm (W) x 500mm (D) x min 710 – 1140mm (H)
Packaging:	Carton Size 63cm (H) x 98cm (W) x 61cm (D) Carton Cubic Metres 0.38 cubic metres Carton Weight 34.2kg
Motor:	Single 175 watt
Airflow:	Airflow = max. 570m ³
Noise Level:	Max. 65 dBA
Controls:	Push button, 3 speed plus intensive speed
Lamps:	2 x 20W Halogen
Power Requirement:	240V 10 Amps
G.P.O. Location:	Behind Flue approx 2200mm from floor height or 1300mm from benchtop height
Filter:	1 x Aluminium mesh
Recirculating:	1 x Carbon Filter (Optional - Code IXFC6 - available to purchase on 1800 805 300).
Ducting:	Top Only (for details refer to the Ducting Specification Sheets under Accessories on the website)
Duct Spigot:	150mm
Maximum Extension of Flue from Floor:	2740mm
Minimum Height Above Cooktop:	650mm
Method of Installation:	Freestanding, attach to wall
Country of Origin:	Italy

CANOPIES

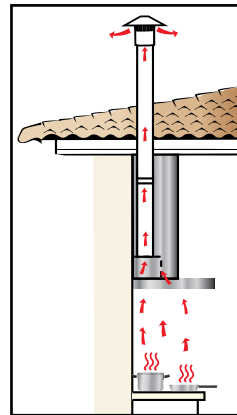
GLASS
CANOPY
900



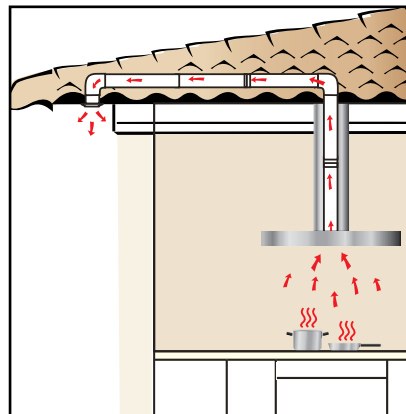
Rear ducted to outside



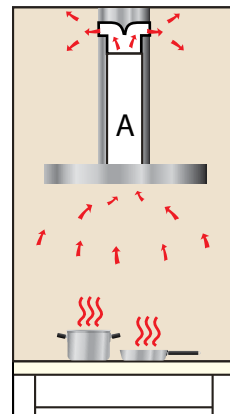
Top ducted to outside



Side ducted to outside



Recirculating Installation



A = Ducting if required